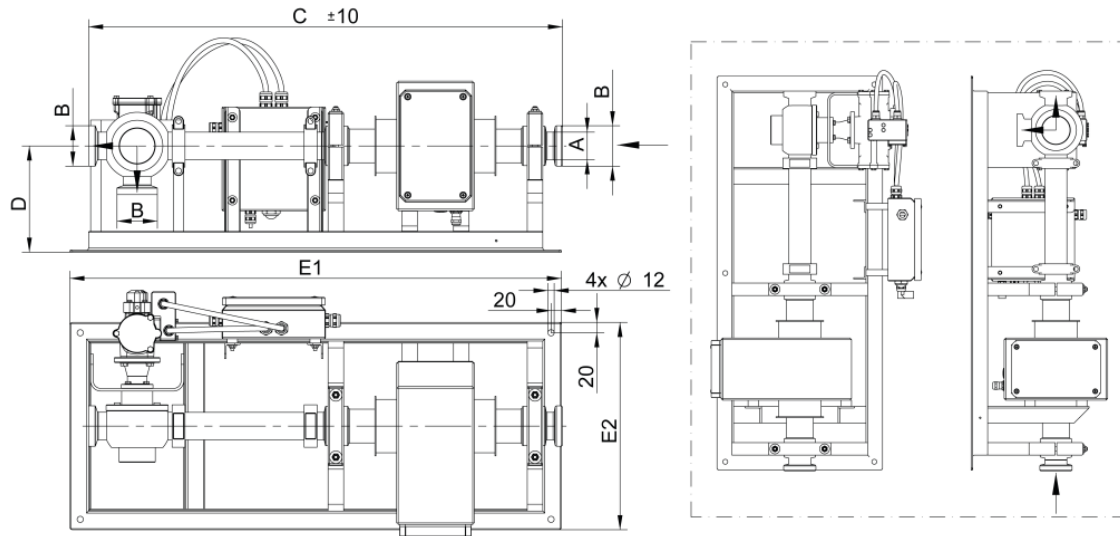


Dimensions



| Configurable connections | | Clamp connection (clamp) DIN 32676 | | | | | | | | | | | |
|--------------------------|--------|--|------|------|------|------|---|------|-------------|------|-----|------|-----|
| | | Clamp connection (aseptic clamp) DIN 11864-3 / DIN 11853-3 | | | | | Threaded connection (dairy fitting) DIN 11851 | | | | | | |
| Size | DN | A | B | C | B | C | B | C | B | C | D | E1 | E2 |
| 1 | 1" | 22,2 | 50,5 | 788 | 50,5 | 798 | Rd 52x1/6" | 796 | Rd 52x1/6" | 807 | 180 | 850 | 400 |
| | 25 mm | 26 | 50,5 | 781 | 50,5 | 798 | Rd 52x1/6" | 796 | Rd 52x1/6" | 807 | 180 | 850 | 400 |
| | 1,5" | 34,8 | 50,5 | 803 | 64 | 816 | Rd 65x1/6" | 814 | Rd 65x1/6" | 827 | 180 | 850 | 400 |
| | 40 mm | 38 | 50,5 | 791 | 64 | 816 | Rd 65x1/6" | 814 | Rd 65x1/6" | 827 | 180 | 850 | 400 |
| 2 | 2" | 47,5 | 64 | 912 | 77,5 | 924 | Rd 78x1/6" | 925 | Rd 78x1/6" | 934 | 205 | 950 | 400 |
| | 50 mm | 50 | 64 | 898 | 77,5 | 924 | Rd 78x1/6" | 925 | Rd 78x1/6" | 934 | 205 | 950 | 400 |
| 3 | 2,5" | 60,5 | 77,5 | 953 | 91 | 959 | Rd 95x1/6" | 954 | Rd 95x1/6" | 970 | 220 | 950 | 400 |
| | 65 mm | 66 | 91 | 940 | 91 | 967 | Rd 95x1/6" | 964 | Rd 95x1/6" | 980 | 220 | 950 | 400 |
| | 3" | 91 | 91 | 958 | 106 | 969 | Rd 104x1/4" | 962 | Rd 104x1/4" | 988 | 220 | 950 | 400 |
| 4 | 80 mm | 81 | 106 | 1176 | 106 | 1207 | Rd 110x1/4" | 1210 | Rd 110x1/4" | 1226 | 230 | 1200 | 460 |
| | 4" | 119 | 119 | 1229 | 130 | 1224 | Rd 130x1/4" | 1243 | Rd 130x1/4" | 1249 | 230 | 1200 | 460 |
| | 100 mm | 100 | 119 | 1191 | 130 | 1225 | Rd 130x1/4" | 1243 | Rd 130x1/4" | 1249 | 230 | 1200 | 460 |

Connection types (configurable)

- **Clamp connection (clamp) DIN 32676**
- **Clamp connection (aseptic clamp) DIN 11864-3 / DIN 11853-3**
- **Threaded connection (dairy fitting) DIN 11851**
- **Threaded connection (aseptic fitting) DIN 11864-1 / DIN 11853-1**

Sensor tube material (configurable)

- **POM (polyoxymethylene)**
- **PVDF (polyvinylidene fluoride)**
- **PEEK (polyether ether ketone)**

Scope of application

- **Meat industry**
- **Baking industry**
- **Food processing industry**
- **Frozen goods and convenience industry**

Designed for testing viscous, liquid, and pasty products in pump supply pipes. The hygienic design fulfils the highest requirements in the food sector, e.g., for meat/sausage products, processed cheese, cheese spread, butter, jam, mustard, ketchup, soups or liquid chocolate.

Product specification

| | |
|----------------------|---|
| Property: | Viscous, liquid, pasty |
| Feed pressure: | ≤ 10 bar (depending on temperature and nominal width) |
| Product temperature: | ≤ 140 °C (depending on pressure and nominal width) |

Technical specifications

| | |
|--|--|
| Protection class (IP-Code): | IP 66 |
| Operational voltage: | 100–240 V AC / 50/60 Hz |
| Compressed air supply: | 7–10 bar |
| Ambient temperature: | -5 °C–+50 °C |
| Storage temperature: | -10 °C–+60 °C |
| Relative humidity: (without condensation) | 0 –100 % |
| Separation: | 3-way pneumatic separation mechanism (hygienic without dead spaces) |
| Separation time: | Adjustable from 0.1 s–30 s |
| Cleaning type: | Scraper (pig) or cleaning-in-place (CIP) |
| Mounting frame material: | AISI 304 stainless steel |
| Material in contact with the product: | AISI 316 stainless steel |

Standard delivery

- PIPELINE 07 O metal separator with remote AMD 07 operating unit
- Type E/F (CEE 7/7) mains plug with cable (other plug types available on request)
- Test body (application-related)
- EU Declaration of Conformity
- Operating manual

Options

- Operating unit attached
- Heatable separation mechanism
- Connection cable between control panel and metal separator > 2 m
- Supply voltage 24 V DC
- Protection class IP 69K
- WLAN kit (802.11 b/g/n 2.4 GHz ISM, max. Transmitting power < 100 mW)

Available accessories

- Test body
- Test body certificate
- Test button (mounted on the operating unit)
- Audible and visual signalling device, red
- mesuEXPORT (automatic protocol export)
- autoTEST system (fully automatic test system)
- mesuREMOTE (remote maintenance kit)
- mesuNET (networking software)
- NRTL-certification

If you require further product information that goes beyond the content of this product data sheet and in particular relates to a specific use and application of this product, please contact the sales office responsible for you. We reserve the right to make changes to the technical specifications and designs in the interests of technical progress!

Version 001-01