

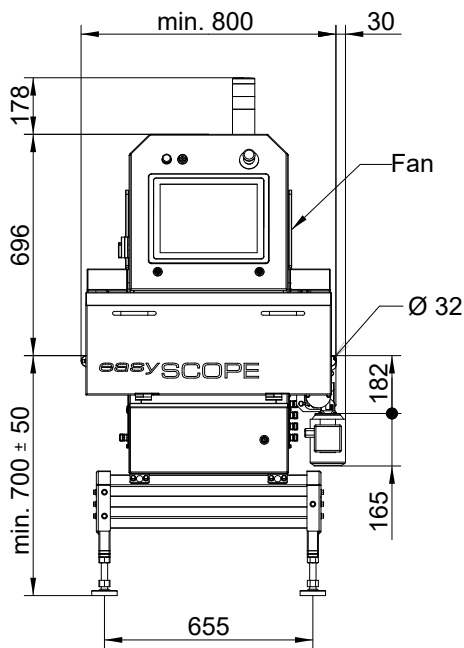


Foreign body detector for packaged piece goods

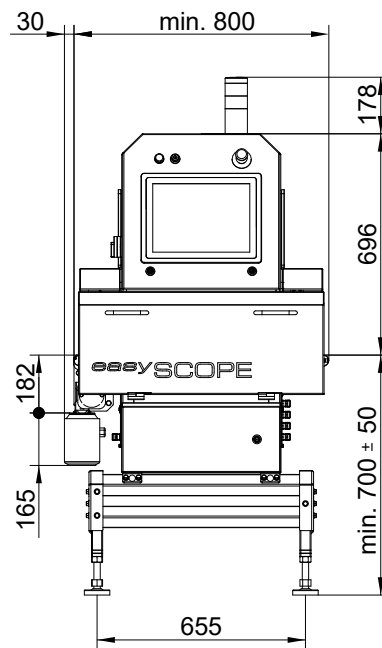
Technical data sheet

Version 11/21

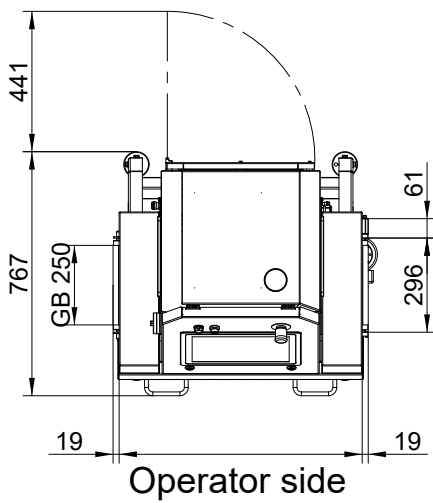
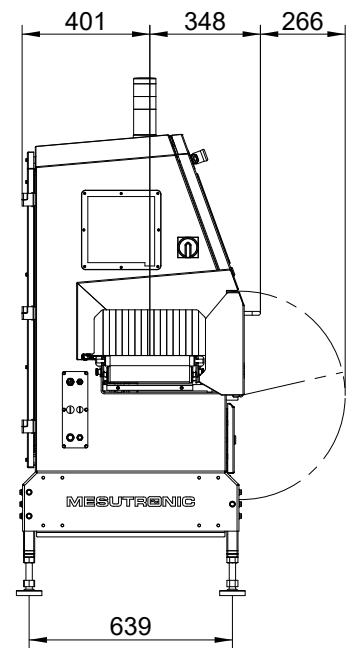
Dimensions



Conveying direction →

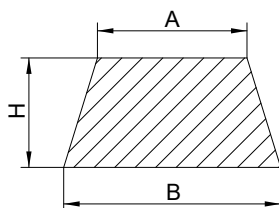


← Conveying direction

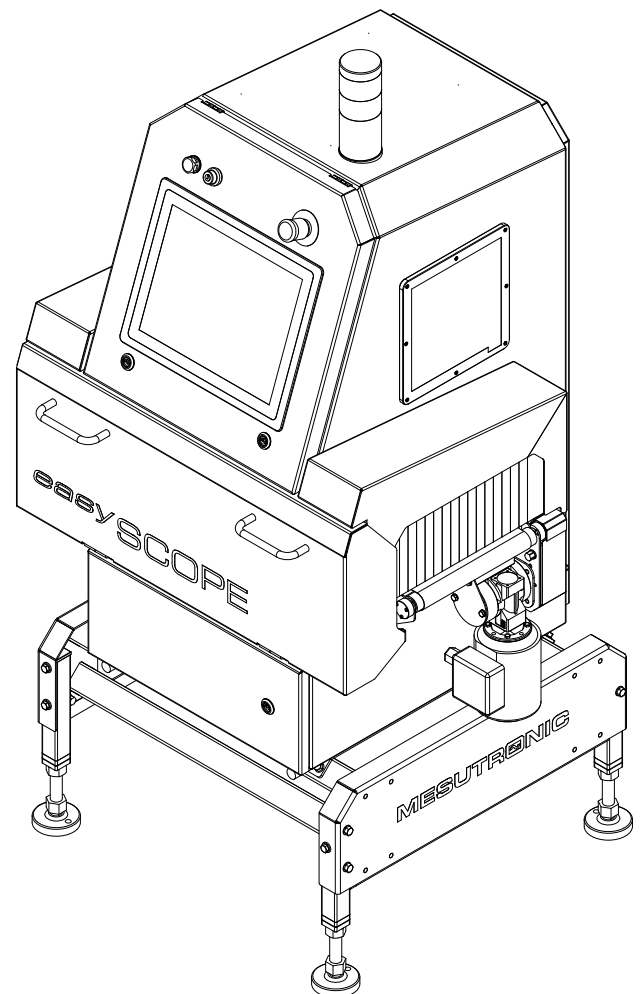


Operator side

Sensitive area



| Version | A | B | H |
|---------|-----|-----|-----|
| 190 | 131 | 190 | 120 |
| 238 | 164 | 238 | 120 |



Project-specific versions available

Technical specifications

| Model | easySCOPE ST |
|-------------------------------|--|
| Housing: | Stainless steel 1.4301 (AISI 304), sandblasted |
| Protection rating: | Housing IP 55 (optional IP 65); conveyor belt IP 65 |
| Ambient temperature: | +2°C to + 35°C (with filter fan) + 2°C to + 45°C (with air conditioner) |
| Storage temperature: | -10°C to +60°C |
| Relative humidity range: | up to 90% (without condensation) |
| Operating voltage: | 230 V AC ± 10% AC, 50-60 Hz, TN-S network |
| Device fuse protection: | 10 A |
| External fuse protection | 16 A |
| Power consumption: | max. 500 W with filter fan max. 750 W with air conditioner |
| Power connection: | approx. 3 m cable with Schuko plug |
| X-ray generator: | max. 60 kV; max. 120 W |
| X-ray receiver: | Application-specific, from 0.4 mm diode size |
| X-ray emission: | < 0.5 µSv/h |
| Radiation protection curtain: | Lead-free rubber matrix with reinforcement fabric, blue colour |
| Wear protection: | Thermoplastic polyurethane (TPU), transparent |
| Conveying length: | Application-specific, from 800 mm |
| Conveying height: | Application-specific, from 650 mm |
| Belt width: | 250 mm |
| Pass-through height: | max. 120 mm |
| Drive: | Gear motor |
| Conveying speed: | Application-specific, up to 1.2 m/s Other speeds available on request |
| Belt material: | Thermoplastic polyurethane (TPU), white colour Food approval according to EU, FDA, USDA |
| Load: | approx. 5 kg at v = 1 m/s approx. 10 kg at v = 0.5 m/s |
| Weight: | from approx. 225 kg |

Standard delivery

- Operating manual
- EU Declaration of Conformity
- X-ray inspection system with integrated front cover and belt conveyor
- Powerful industrial PC with Windows 10
- 15" HMI with touchscreen
- Uninterruptible power supply (UPS)
- Quick-release device for belt
- 2-way LED signal light
- Ports: USB, Ethernet
- Automatic log export
- Standard software (Threshold value evaluation, Adaptive threshold value evaluation, Edge suppression, Item counter and segmentation)

Available accessories and options

- Protection rating IP 65 to 45°C ambient temperature
- Separation systems: pushers, blower nozzles
- Lockable and foldable stainless-steel collecting container, with waste monitoring and fill level control
- Stainless steel castors (from a conveying height of 850 mm ± 50 mm)
- Side stainless steel guide rails
- Signal light in additional colours: green (conveyor belt), blue (detector test); expandable with acoustic unit
- Retailer kit (extended sensor package)
- Advanced image processing functions: clip hiding, weight checking and integrity
- mesuNET (network software for monitoring and documentation)
- mesuREMOTE (remote maintenance module)