

METAL DETECTOR

METRON 07 FlatLine

RELIABLE DETECTION OF ALL METALS:

- FERROUS
- STAINLESS STEEL
- ALUMINIUM
- COPPER
- BRASS

RELIABLE DETECTION OF FREE OR
ENCAPSULATED CONTAMINANTS.

Version 08/18

**SLIM METAL DETECTOR FOR MOUNTING BETWEEN
MULTIHEAD WEIGHERS AND VERTICAL BAG FILLERS.**



INDUSTRIES

- FOOD INDUSTRY
- HYGIENE PRODUCTS
- CHEMIE/PHARMACEUTICAL
INDUSTRY

APPLICATIONS

- QUALITY INSPECTION
(TO MEET THE REQUIREMENT OF
ISO 9000, HACCP, IFS, BRC, SQF, ...)
- MACHINERY PROTECTION

**THE INTEGRATED SIGNAL PROCESSOR (DSP) IS THE PRECONDI-
TION FOR DIGITAL, 2 CHANNEL SIGNAL PROCESSING, EVEN
WITH CONVEYING SPEEDS AS HIGH AS 30 METERS/SEC.**

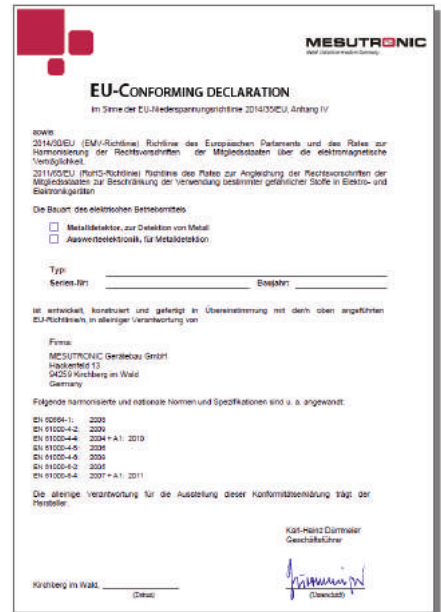
www.mesutronic.de

MESUTRONIC

Metal Detection made in Germany

STANDARD SCOPE OF DELIVERY

- DETECTOR HEAD WITH INTEGRAL CONTROL ELECTRONICS
- CONTROL UNIT WITH POWER SUPPLY INCLUDED AND DISPLAY IN SEPARATE HOUSING
- POWER SUPPLY CORD AND CONNECTING CABLE
- USER MANUAL INSTALLATION INSTRUCTIONS INCLUDED, WIRING DIAGRAM AND SPARE PARTS LIST IN SEVERAL LANGUAGES
- EU - CONFORMITY DECLARATION



OPTIONAL EQUIPMENT

- WARNING DEVICE
 - BEACON
 - BUZZER
 - BEACON WITH SIREN
- SOFTWARE SOLUTIONS
 - MESUNET (NETWORK INTEGRATION AND REMOTE MAINTENANCE)
- WiFi
 - COMMUNICATION MODULE FOR WIRELESS CONNECTION ONTO NETWORKS
- CHANGEABLE HOPPER
- autoTEST - SYSTEM
 - FULLY AUTOMATED TEST SYSTEM FOR PERFORMANCE CONTROL
- METAL DETECTOR-TEST SPHERES
 - METAL SPHERE(S) ENCASED IN PLASTIC TO VERIFY SENSIVITY
 - SEVERAL SIZES AND TYPES - (IF DESIRED WITH CERTIFICATE)
- REMOTE RESET BUTTON

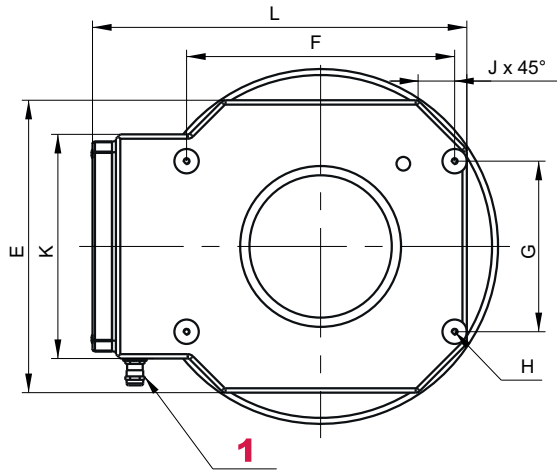
SPECIAL VERSIONS

- EXPLOSION PROOF VERSION
- CUSTOM PAINT
- SPECIAL POWER SUPPLY

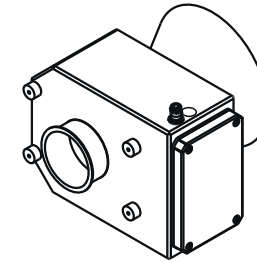
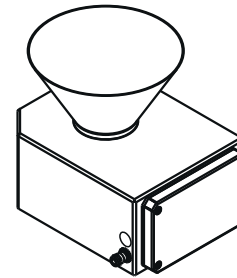


DIMENSIONS

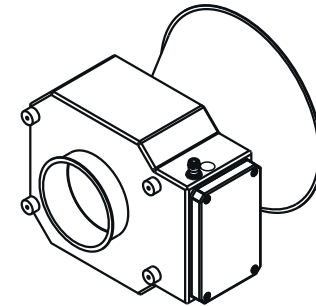
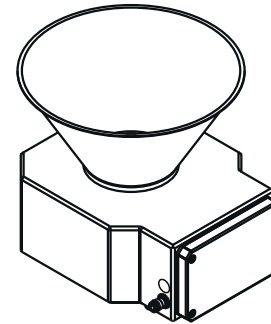
FlatLine +



- 1. M 16 CABLE GLANDS
- 2. RUBBER METAL
- 3. SYSTEM JACOB

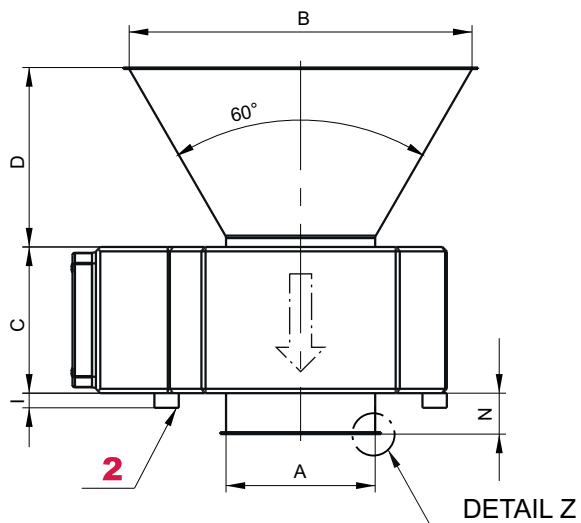
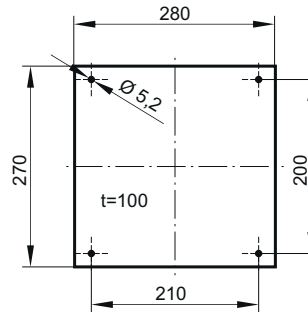


DN 100 - DN120

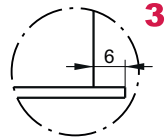


DN 150 - DN 250

ELECTRONIC BOX
WEIGHT APPROX. 6 KG
(DRILLING PATTERN)



DETAIL Z

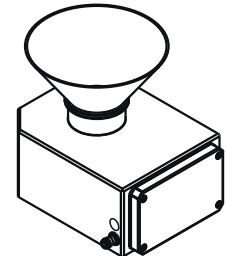
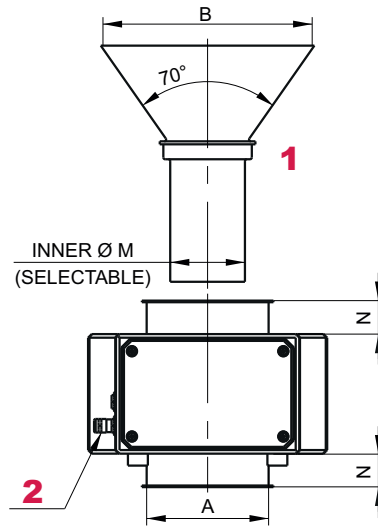
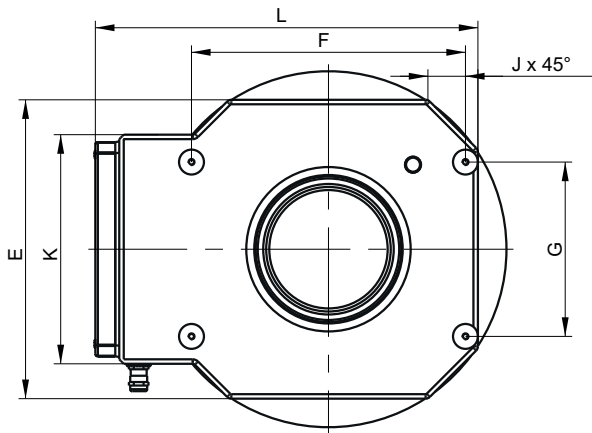


DNØA	DNØB	C	D	E	F	G	H	I	J	K	L	N	WEIGHT
100	250	150	138	250	225	125	M6	15	50	250	334	42	APPROX. 25 KG
120	250	150	120	250	225	125	M6	15	50	250	334	42	APPROX. 28 KG
150	350	150	184	300	275	175	M6	15	50	230	384	42	APPROX. 30 KG
200	350	150	141	365	310	170	M8	30	88	230	450	42	APPROX. 35 KG
250	350	200	97	450	400	200	M8	30	115	230	529	80	APPROX. 40 KG

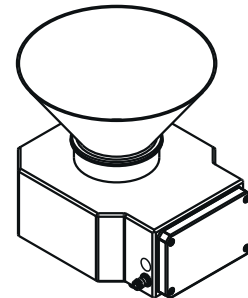
ALL DIMENSIONS IN MM.
OTHER VERSIONS ON REQUEST.

DIMENSIONS

FlatLine

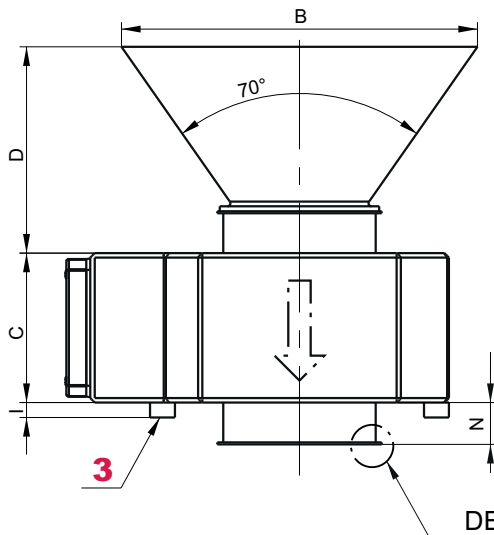
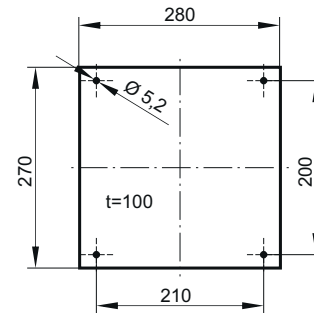


DN 100 - DN 120



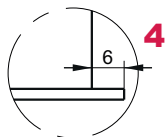
DN 150 - DN 250

ELECTRONIC BOX
WEIGHT APPROX. 6 KG
(DRILLING PATTERN)



- 1. OPTIONAL CHANGEABLE HOPPER(PP)
- 2. M 16 CABLE GLANDS
- 3. RUBBER METAL
- 4. SYSTEM JACOB

DETAIL Z



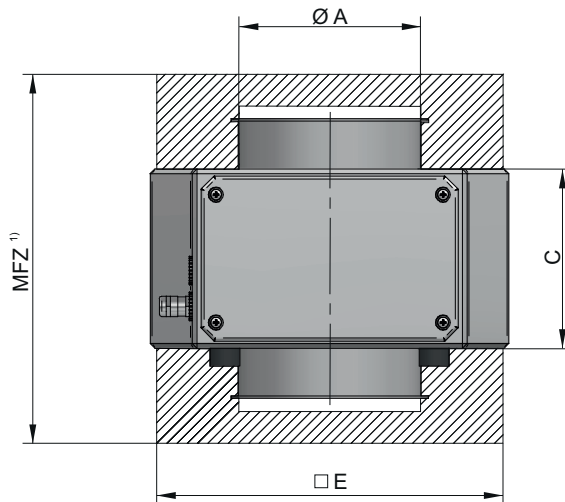
DNØA	DNØB	C	D	E	F	G	H	I	J	K	L	M	N	WEIGHT
100	250	150	159	250	225	125	M6	15	50	250	334	max. 86	42	APPROX. 25 KG
120	250	150	149	250	225	125	M6	15	50	250	334	max. 100	42	APPROX. 28 KG
150	350	150	207	300	275	175	M6	15	50	230	384	max. 120	42	APPROX. 30 KG
175	350	150	183	300	275	175	M6	15	50	230	384	max. 150	42	APPROX. 32 KG
200	350	150	170	365	310	170	M8	30	88	230	439	max. 170	42	APPROX. 35 KG
250	350	200	177	450	400	200	M8	30	115	230	529	max. 210	80	APPROX. 40 KG

ALL DIMENSIONS IN MM.
OTHER VERSIONS ON REQUEST.

METAL FREE ZONE (MFZ)



TUBING, HOPPERS OR CONNECTING FLANGES MADE FROM METAL CAN BE DIRECTLY CONNECTED TO THE DETECTOR COIL (FOR EXAMPLE WITH A QUICK CONNECT CLAMP). A METAL-FREE ZONE IS NOT REQUIRED IN THIS CASE.



CALCULATING THE "METAL FREE ZONE"

FOR MOVING METALS

$$MFZ = 3 \times A$$

¹⁾ POSITION THE DETECTOR IN THE MIDDLE OF THE „METAL FREE ZONE“
FOR THE OTHER DIMENSIONS: POSITION THE DETECTOR SYMMETRICAL IN RELATION TO THE APERTURE.

THE CALCULATED DIMENSIONS ARE TO BE TAKEN AS ORIENTATION VALUES (MINIMUM VALUES WHICH CAN BE EXCEEDED.) AND HAVE TO BE VERIFIED BY THE MANUFACTURER, DEPENDING ON THE PROJECT. MAKE THE „METAL FREE“ ZONE AS LARGE AS POSSIBLE. „NON-MOVING METALS“ ARE, FOR EXAMPLE, CONVEYOR FRAMES AND COIL CONSOLES. „MOVING METALS“ ARE ROLLS OR AXLES. PAY PARTICULAR ATTENTION TO MOVING GATES AND MACHINES OR MACHINE PARTS WHICH CHANGE THEIR DISTANCE TO THE METAL DETECTOR OR WHICH MOVE IN THE VICINITY OF THE APERTURE. IF THE METAL FREE ZONE CANNOT BE MAINTAINED DUE TO SPACE RESTRICTIONS FALSE REJECTS AND OR REDUCED SENSITIVITY CAN BE EXPECTED.

IN ADDITION, PLEASE OBSERVE OUR „HINTS FOR THE INSTALLATION OF SEARCH COILS“

SENSITIVITY

DETECTOR NOMINAL DIAMETER $\varnothing A$	100	120	150	175	200	250
SENSITIVITY ¹⁾ STEEL-BALL \varnothing MM	0,4	0,5	0,6	0,7	0,8	1,0

¹⁾ THE SENSITIVITY IS PROPORTIONAL TO THE DIAMETER OF THE APERTURE. THE SMALLER THE APERTURE, THE HIGHER THE SENSITIVITY. THE ABOVE STATED VALUES WERE OBTAINED IN THE CENTRE OF THE APERTURE UNDER SIMULATED PRODUCTION CONDITIONS AND ARE VALID FOR MOST DRY POWDERS AND GRANULATES.

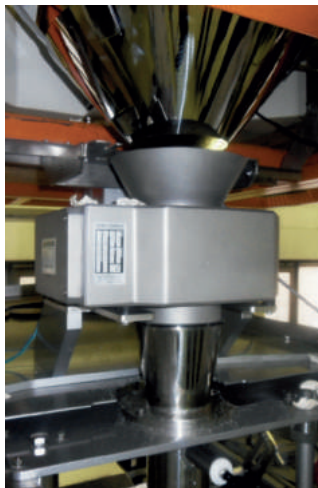
MAXIMUM OBTAINABLE SENSITIVITY VALUES CAN BE ESTABLISHED BY TESTING YOUR PRODUCT SAMPLE IN OUR LABORATORY.

SENSITIVITY VALUES FOR OTHER MATERIALS:

STAINLESS STEEL: FE SPHERE x 1,0 UP TO 2,0
(DEPENDENT ON THE ALLOY)

NON-FERROUS MATERIALS SUCH AS BRONZE, COPPER, ALUMINUM: FE SPHERE x 1,0 UP TO 1,8
(DEPENDENT ON THE TYPE OF METAL).

EXAMPLE OF USE



METAL DETECTOR METRON 07 FlatLine (VERSION 1)
MOUNTED BETWEEN MULTIHEAD WEIGHERS AND VERTICAL BAG FILLERS.

CONTROL UNIT AMD 07

ADVANTAGES THAT WILL CONVINC YOU!

UNLIMITED FLEXIBILITY DUE TO NETWORK-ENABLED SYSTEM COMPONENTS. THE METAL SENSOR, THE DISPLAY AND THE CONTROL UNIT COMMUNICATE VIA ETHERNET AND CAN BE COMBINED AS REQUIRED. SOME COMPONENTS MAY NOT BE REQUIRED, IF THE METAL DETECTOR IS INTEGRATED IN OTHER MACHINERY DISTANCES ARE IRRELEVANT. HIGHEST SENSITIVITY AND AVAILABILITY ARE GUARANTEED.

AUTO-SETUP-ROUTINE WITH INTERFERENCE SIGNAL SUPPRESSION AND AUTOMATIC SENSITIVITY CALIBRATION.

AUTOMATIC PRODUCT-EFFECT CANCELLATION WITH REAL TIME PRODUCT PARAMETER MEASUREMENT CAPABILITIES.

DYNAMIC AUTO-TRACKING (PRODUCT CHARACTERISTIC CHANGE TRACKING) GUARANTEES MAXIMUM SENSITIVITY IN OPERATION.

MULTI-FILTER SYSTEM USING DIGITAL FILTERS FOR MAXIMUM STABILITY IN HARSH ENVIRONMENTS.

AUTO-BALANCE AUTOMATICALLY DETECTS AND COMPENSATES FOR ANY CHANGES IN THE SIGNAL DURING NORMAL OPERATION. (E.G. TEMPERATURE VARIATIONS)

TOUCH SCREEN CONTROL PANEL – MAXIMUM INFORMATION, EASY AND FAST OPERATION! THE 5,7" BACKLIT VGA COLOR-TOUCH-DISPLAY IS LARGE ENOUGH TO DISPLAY SUCH INFORMATION AS PARAMETER DATA AND PROTOCOL CONTENTS IN A LEGIBLE MANNER. INPUT FIELDS AND OTHER OPERATING TOOLS HAVE GENEROUS DIMENSIONS AND ARE ERGONOMICALLY ARRANGED. EASY TO OPERATE WITH CLEAR MENUS AND SELECTABLE OPERATING LANGUAGE THE OSCILLOSCOPE FUNCTION MAKES THE SIGNAL WAVES VISIBLE BY PROJECTING THEM ONTO THE DISPLAY!

3 LEVELS OF USER ACCESS (INDIVIDUAL PIN CODES UP TO 4 LEVELS) GUARANTEE PROTECTION AGAINST UNAUTHORIZED ACCESS DUE TO INTELLIGENT USER MANAGEMENT. INDIVIDUAL ACCESS FOR AUTHORIZED PERSONNEL WITH PERSONALIZED ACCESS CODE (USER ID) IN ADDITION 2 FREE CONFIGURABLE FUNCTION KEYS.

METAL COUNTER CAN BE DISPLAYED ON THE LCD SCREEN OR INTERFACED WITH A PRINTER OVER A SERIAL INTERFACE.

QUALITY SMD's (SURFACE MOUNTED DEVICES) ARE USED IN THE PRODUCTION OF THE CONTROLS. THEY NOT ONLY OFFER A COMPACT DESIGN, BUT ALSO PROVIDE HIGHER QUALITY AND MORE ROBUST PERFORMANCE UNDER HARSH CONDITIONS. ALL MESUTRONIC PRODUCTS CONFORM TO THE CE STANDARDS AND ARE DEVELOPED ACCORDING TO TECHNICAL STANDARDS AND NORMS SUCH AS EN, DIN AND UUV.

SELF MONITORING SYSTEM ENSURES ALL IMPORTANT COMPONENTS ARE FUNCTIONING PROPERLY. IN CASE OF A FAULT, RELAY OUTPUTS ARE AVAILABLE. FAULTS ARE DISPLAYED AS TEXT IN REAL TIME.

PRODUCT STORAGE MEMORY BACKUP FOR UP TO 1.000 INDIVIDUAL PRODUCTS. EACH PRODUCT HAS A COMPLETE SET OF SETUP PARAMETERS ASSIGNED, SUCH AS SENSITIVITY (TRIGGER, DETECTION THRESHOLD, EJECT TIME) THE DISPLAY OF TIME RELEVANT DATA IS IN REAL-TIME. INDIVIDUAL PRODUCT NAMES CAN BE STORED AS WELL.

DETECTOR TEST FUNCTION (VALIDATION) YOU MAY CHOOSE BETWEEN THE MANUAL OR AUTOMATIC MODE. IN THE AUTOMATIC MODE THE DETECTOR WILL ADVISE AUTOMATICALLY, WHEN THE DETECTOR TEST IS TO BE PERFORMED. THE CYCLE TIME CAN BE ADJUSTED FROM 1 MINUTE TO 11 HOURS IN REAL TIME. THE TEST RESULTS ARE DOCUMENTED IN THE EVENT LOG INCLUDING DATE AND TIME STAMP.

USB DATA MEDIA AS MOBILE DATA CARRIER. A USB CONNECTION IS STANDARD EQUIPMENT TO STORE DATA ON A COMMERCIALY AVAILABLE DATA STORAGE MEDIA. MODERN DATA STORAGE DEVICES HAVE SUFFICIENT CAPACITY TO STORE ALL ADJUSTMENT AND PRODUCT PARAMETER DATA AS WELL AS THE RESULTS. IN ADDITION SOFTWARE UPDATES AND ADDITIONAL LANGUAGE FILES CAN BE UPLOADED EASILY AND COMFORTABLY.

MULTI-MODE-FUNCTION (OPTIONAL) IMPROVES SENSITIVITY IF PRODUCTS IN STANDARD PACKAGING AND METALIZED FOIL PACKING ARE EXAMINED WITH THE SAME METAL DETECTOR. THE DETECTOR SELECTS THE OPTIMAL FREQUENCY AUTOMATICALLY DURING THE PRODUCT PARAMETER MEASUREMENT. ALL PRODUCT SPECIFIC VALUES CAN BE STORED AND CAN BE RETRIEVED IMMEDIATELY AFTER A PRODUCT CHANGE

CHARACTERISTICS MEASUREMENT (OPTIONAL) ALLOWS A TARGETED DETECTION OF THE TYPE OF METAL AND THEREFORE A MATERIAL DEPENDENT SENSITIVITY ADJUSTMENT: SENSITIVITY DEVIATIONS CAUSED BY THE PHYSICAL CHARACTERISTICS OF THE METAL CAN BE PROJECT SPECIFIC COMPENSATED OR ALTERED.

DATA PORTS FOR DIFFERENT TASKS. THE METAL DETECTOR IS EQUIPPED WITH 2 DATA PORTS, WHEREAS ONE OF THE DATA POINTS (ETHERNET) IS RESERVED FOR SERVICE SUCH AS SECURING DATA, LOCAL SOFTWARE UPDATES AND SUCH. THE OTHER DATA POINT (RS232) IS FREELY AVAILABLE. BI-DIRECTIONAL DATA COMMUNICATION WITH CLIENTS SPS OR PC SYSTEMS IS POSSIBLE. (SOFTWARE PACKAGES ARE OPTIONAL).

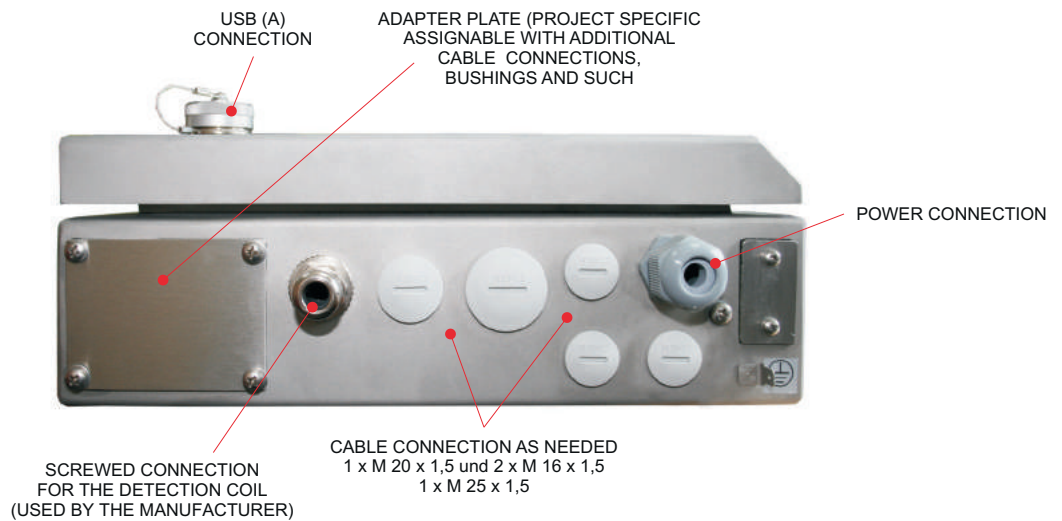
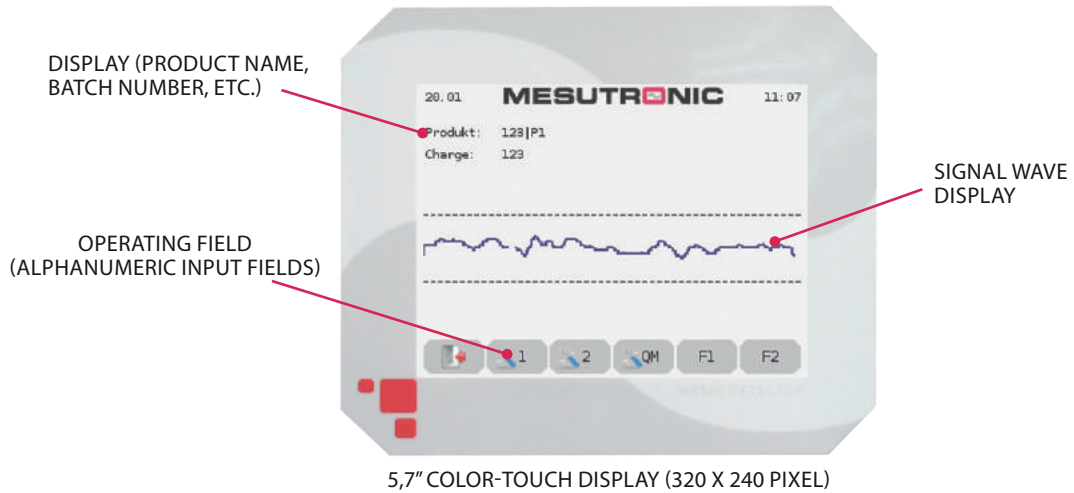


METAL DETECTOR NETWORK AND REMOTE SERVICE

EVERYTHING IS POSSIBLE! SEVERAL OPTIONAL SOFTWARE-PACKAGES ARE AVAILABLE. WITH THE AID OF MODERN NETWORK SOLUTIONS SUCH AS ETHERNET OR WI-FI YOU CAN ESTABLISH A SECURE AND EFFICIENT DATA MANAGEMENT SYSTEM WITH AN UNLIMITED NUMBER OF DETECTORS. THE UNITS CAN BE REMOTE CONTROLLED VIA A CENTRAL SERVER. WE CAN ALWAYS BE PRESENT LOCALLY WITH **mesuNET**, THE MESUTRONIC REMOTE SERVICE MODULE.

CONTROLS

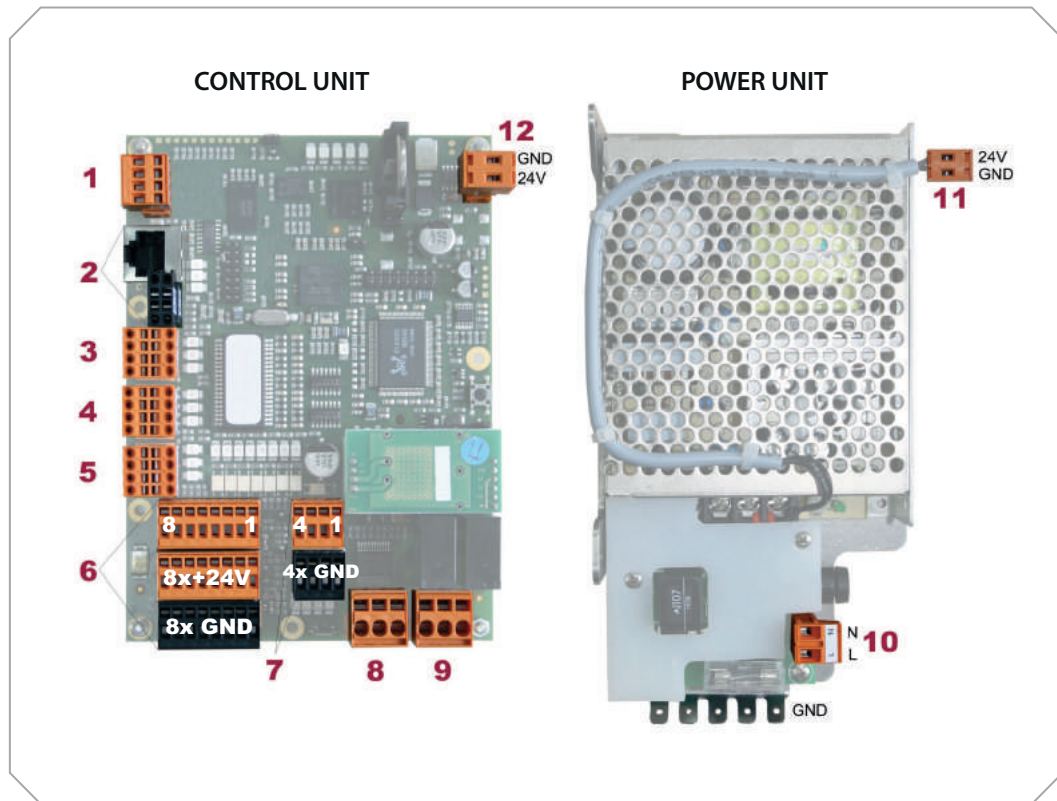
EXAMPLE OF AN INPUT DISPLAY (DEPENDING UPON THE SELECTED MENU THE DISPLAY SHOWS DIFFERENT FUNCTIONS !)



TECHNICAL DATA

POWER SUPPLY:	100 V - 240 V AC, 50 OR 60 HZ AS SPECIAL VERSION 24 V DC
CURRENT CONSUMPTION:	MAX. 75 W
FUSED:	1,25 A (SLOW BLOW), 5 X 20 MM ACCORDING TO DIN
POWER FUSE:	MAX. 10 A
TYPE OF PROTECTION:	IP 66
WORKING TEMPERATURE:	- 10° C TO + 50° C
STORAGE TEMPERATURE:	- 10° C TO + 60° C
RELATIVE HUMIDITY:	0 TO 95 % (WITHOUT CONDENSATION)
IMPULSE LENGTH METAL SIGNAL:	0,1 SEC. TO 30 SEC. (ADJUSTABLE)
POWER CABLE:	APP. 1,8 M CABLE WITH PLUG (TWO POLE AND EARTHING PIN) (US-VERSION WITH US-STANDARD PLUG)
MATERIAL FOR THE DETECTION COIL AND ELECTRONICS CABINET:	STAINLESS STEEL (1.4301, SAND BLASTED)
:	
OTHER VERSIONS AVAILABLE	

INPUTS AND OUTPUTS



1. SERIAL PORT (RS 232)
2. SERVICE CONNECTION (USED BY THE MANUFACTURER)
3. ETHERNET INTERFACE FOR NETWORK (SUCH AS mesuNET)
4. CONNECTION FOR THE SENSOR-UNIT (USED BY THE MANUFACTURER)
5. CONNECTION FOR THE DISPLAY-UNIT (USED BY THE MANUFACTURER)
6. EIGHT (8) FREE PROGRAMMABLE INPUTS (24 V DC)

INPUTS (STANDARD LAYOUT)

IN 1 - INITIATOR „NORMAL POSITION“ (EJECT GATE)

IN 2 - INITIATOR „EJECT POSITION“ (EJECT GATE)

IN 3 - PRESSURE MONITOR (PRESSURE SWITCH)

IN 4 - OFFLINE SWITCH (DEACTIVATION OF METAL DETECTION)

IN 5 - FREE

IN 6 - FREE

IN 7 - FREE

IN 8 - FREE

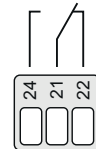
ADDITIONAL CONNECTIONS SUCH AS LIGHT TRIGGERS, FILL SENSORS AND SUCH

INPUTS AND OUTPUTS

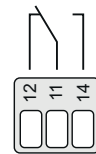
- 7.** FOUR (4) FREELY PROGRAMMABLE OUTPUTS (24 V DC)
 OUTPUT (STANDARD LAYOUT)
 OUT1 - SOLENOID VALVE (EJECT GATE)
 OUT2 - UNIT OPERATIONAL INDICATOR
 OUT3 - FREE
 OUT4 - FREE
 ADDITIONAL CONNECTIONS: MAGNET SOLENOID (REJECT MECHANISM),
 FAULT INDICATOR, ALARM AND SUCH.

MAX. LOAD FOR ALL INPUTS AND OUTPUTS $I_{TOTAL} \leq 300$ MA CUMULATIVE!

- 8.** RELAY 2 (CONNECT AT FAULT)
 FLOATING CHANGE OVER CONTACT
 ACTUATED BY SELF MONITORING SYSTEM (NORMAL OPERATION)
 MAX. CONTACT LOAD: 250 V/3 A



- 9.** RELAY 1 (CONNECT WHEN METAL)
 FLOATING CHANGE OVER CONTACT ACTUATED WHEN METAL IS DETECTED
 MAX. CONTACT LOAD: 250 V/3 A
 PULSE DURATION (AUTO-RESET): 0,1 SEC. TO 30 SEC. (ADJUSTABLE)
 PULSE DURATION (RESET BY HAND). PERMANENT SIGNAL UNTIL RESET-BUTTON IS
 PRESSED



IF REQUIRED; THE RELAYS MAY BE PROGRAMMED DIFFERENT.

- 10.** POWER CONNECTION
11. 24 V DC TENSION / OUTPUT (USED BY THE MANUFACTURER)
12. 24 V DC TENSION / INPUT (USED BY THE MANUFACTURER)

THE MESUTRONIC GERÄTEBAU GMBH IS A GLOBALLY ACTIVE COMPANY IN THE FIELD OF INDUSTRIAL METAL DETECTION TECHNOLOGY WITH HEADQUARTERS IN GERMANY.

A TEAM OF SPECIALISTS FOCUSES FOR DECADES SUCCESSFULLY ON THE DEVELOPMENT, MANUFACTURING AND DISTRIBUTION OF ELECTRONIC METAL DETECTORS AND SEPARATORS FOR ALL INDUSTRIES. DAILY WE TAKE UP THE CHALLENGE TO SOLVE INDIVIDUAL PROBLEMS RELIABLE AND TAILORED TO THE CUSTOMER. WHERE OTHERS SAID "NO" LONG AGO OUR TASK JUST STARTS. TRUE TO THE MOTTO: „NOTHING IS IMPOSSIBLE.“

THOUSANDS OF DETECTOR COILS, VARIOUS TRANSMITTERS AND A VARIETY OF EJECTORS AND MECHANICAL COMPONENTS CAN BE COMBINED DEPENDING ON THE TASK AND SERVE AS A BASIS FOR PRACTICAL AND FLEXIBLE SOLUTIONS. THROUGH YEARS OF CLOSE COLLABORATION WITH OUR CUSTOMERS FROM VARIOUS INDUSTRIES, WE HAVE SHAPED OUR EQUIPMENT PROGRAM CONTINUAL WITH THE RESULT THAT ALL MESUTRONIC PRODUCTS ARE NOW LEADING THE WAY IN PERFORMANCE, QUALITY, RELIABILITY AND HANDLING.

IN ADDITION, OUR WORLDWIDE SALES AND SERVICE NETWORK ENSURES THAT ON ALL CONTINENTS OF THE WORLD A PROFESSIONAL COMPETENT CONTACT PERSON IS AVAILABLE FOR YOU.



MESUTRONIC

Metal Detection made in Germany

MESUTRONIC Gerätebau GmbH · Hackenfeld 13 · 94259 Kirchberg im Wald · Germany

Tel. +49 9927 9410-0 · Fax +49 9927 1732

sales@mesutronic.de · www.mesutronic.de

