

# METAL DETECTOR

## METRON 05 C

### RELIABLE DETECTION OF ALL METALS:

- FERROUS
- STAINLESS STEEL
- ALUMINUM
- COPPER
- BRASS
- .....

RELIABLE DETECTION OF FREE OR ENCAPSULATED CONTAMINANTS.

Version 11/13

CLOSED TUNNEL TYPE DETECTOR WITH INTEGRAL CONTROL BOX SUITABLE FOR INSTALLATION IN BELT CONVEYORS, GRAVITY OR VACUUM/PRESSURE CONVEYING LINES, .....



### INDUSTRIES

- CHEMICAL/PHARMACEUTICAL INDUSTRY
- FOOD INDUSTRY
- TEXTILE INDUSTRY
- QUARRY INDUSTRY
- TIMBER INDUSTRY
- PET FOOD INDUSTRY
- RUBBER AND PLASTIC INDUSTRY
- RECYCLING INDUSTRY

### APPLICATION

- PRODUCT INSPECTION
- MACHINERY PROTECTION  
GRINDERS, CRUSHERS, MILLS  
CHIPPERS,  
CALENDARS,  
BANDSAWS,  
AND MORE

[www.mesutronic.de](http://www.mesutronic.de)

# MESUTRONIC

*Metal Detection made in Germany*

## SCOPE OF DELIVERY

- DETECTOR HEAD
- ELECTRONICS MOUNTED IN A METAL CABINET
- INTERCONNECTING CABLES
- INSTALLATION ACCESSORIES
- USER MANUAL INCL. INSTALLATION INSTRUCTIONS, WIRING DIAGRAM AND SPARE PARTS LIST IN SEVERAL LANGUAGES
- EC CONFORMITY DECLARATION



## OPTIONAL EQUIPMENT

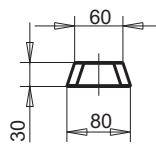
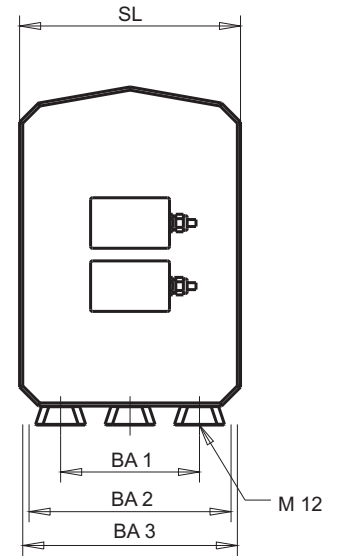
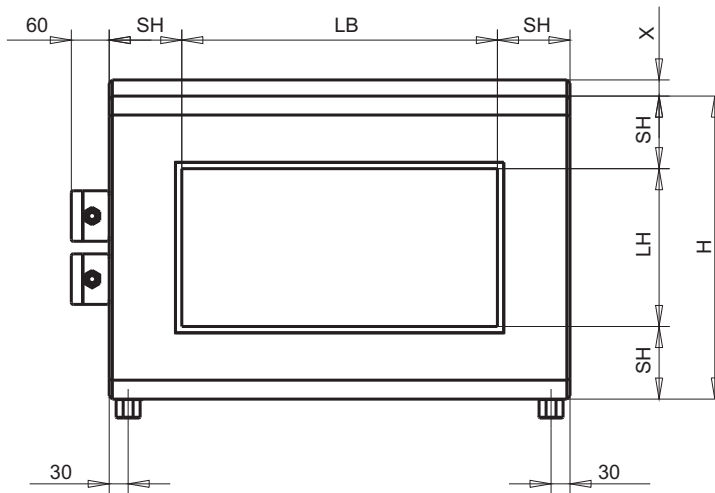
- WARNING DEVICE
  - BEACON
  - BUZZER
  - BEACON WITH SIREN
- REMOTE RESET DEVICE
- CONVEYOR CONTROLS
  - CONVEYOR REVERSE
  - .....
- VISUAL MARKERS
  - INK JET SYSTEM
  - BAG DROP SYSTEM
  - .....
- REJECT SYSTEMS
  - PUSHER SYSTEMS
  - FLAP SYSTEMS
  - CUT-OUT DEVICE
  - .....
- CUSTOMIZED SOFTWARE SOLUTIONS
  - SPECIAL CONTROL OPERATIONS
  - DATA TRANSFER
  - .....
- POWER CONDITIONER
  - MAGNETIC VOLTAGE STABILIZER
  - ELECTRONIC VOLTAGE STABILIZER
- TURN KEY SYSTEMS CONSISTING OF CONVEYOR - DETECTOR - REJECT

## SPECIAL VERSIONS

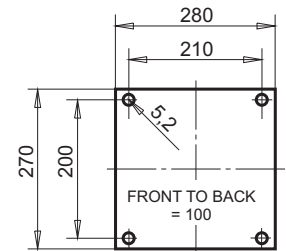
- DETECTOR HEAD AND CONTROL BOX IN STAINLESS STEEL
- EXPLOSION PROOF (PROTECTION TYPE IP 65)
- CUSTOM PAINT
- SPECIAL POWER SUPPLY
- HIGH TEMPERATURES
- ALUTRON-VERSION (NO FALSE TRIPPING BY METALLIC FILMS SUCH AS CUP LIDS, .....), PATENT-NO. 4342826
- NEUTRAL DELIVERY WITH INDIVIDUAL LABELING



# DIMENSIONS



DETECTOR SUPPORT LEGS - SCREW THREAD M 12  
 MAX. DEPTH OF THREAD 18 MM  
 MATERIAL PE (POLYETHYLENE)



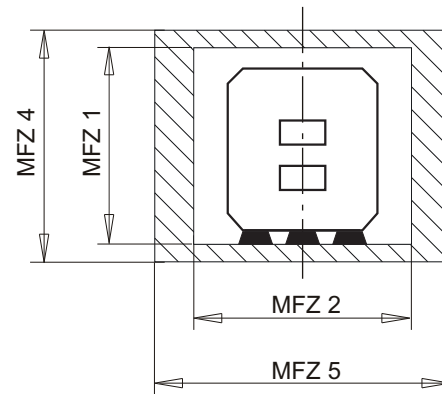
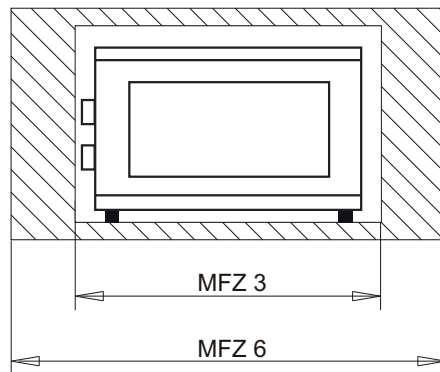
ELECTRONIC-BOX  
 (DRILLING PATTERN)

LB (APERTURE WIDTH): AVAILABLE FROM 50 TO 2000 MM IN 50 MM INCREMENTS.

LH APERTURE HEIGHT	SL DETECTOR LENGHT	SH TOP/BOTTOM THICKNESS	DISTANCE BETWEEN BORE CENTRES			NUMBER OF FASTENER BORES	MARK X
			BA 1	BA 2	BA 3		
50 - 150	260	115	130	-	-	4	18
175 - 200	300	115	170	-	-	4	22
225 - 250	350	115	220	-	-	6	26
275 - 300	400	115	230	-	-	6	27
325 - 350	450	115	280	-	-	6	31
375 - 400	500	115	110	330	-	8	36
425 - 450	550	115	190	380	-	10	40
475 - 500	600	115	215	430	-	10	44
550 - 600	650	115	240	480	-	10	49
650 - 700	700	150	265	530	-	10	-
750 - 800	800	150	150	390	630	12	-
850 - 900	900	150	150	440	730	12	-
950 - 1000	1000	150	280	560	830	14	-
LH > 1000	1200	150	340	690	1030	14	-

ALL DIMENSIONS IN MM.

## METAL FREE ZONE (MFZ)



CALCULATING THE „METAL FREE ZONE“ ...

FOR NON-MOVING METALS

$$\text{MFZ 1} = H + 60 \text{ MM}$$

$$\text{MFZ 2}^{1)} = L + LH$$

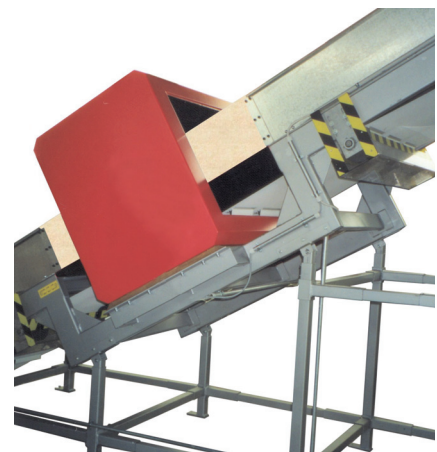
$$\text{MFZ 3} = LB + LH$$

FOR MOVING METALS

$$\text{MFZ 4} = 4 LH$$

$$\text{MFZ 5}^{1)} = L + 3,5 LH$$

$$\text{MFZ 6} = LB + 3 LH$$



<sup>1)</sup> POSITION THE DETECTOR APERTURE IN THE MIDDLE OF THE „METAL FREE ZONE“  
FOR THE OTHER DIMENSIONS: POSITION THE DETECTOR SYMMETRICAL IN RELATION TO THE APERTURE.

THE CALCULATED DIMENSIONS ARE TO BE TAKEN AS ORIENTATION VALUES ( MINIMUM VALUES WHICH SHOULD BE EXCEEDED.) AND HAVE TO BE VERIFIED BY THE MANUFACTURER, DEPENDING ON THE PROJECT. MAKE THE „METAL FREE“ ZONE AS LARGE AS POSSIBLE. „NON-MOVING“ METALS ARE CONVEYOR FRAMES AND COIL SUPPORTS. ( BUT NOT THE TRAVERSE CONNECTIONS BETWEEN SUCH EQUIPMENT!)

MOVING METALS ARE DIVERTER AND DRIVE ROLLERS OR FOR EXAMPLE THE AXIS OF A REJECT PUSHER.

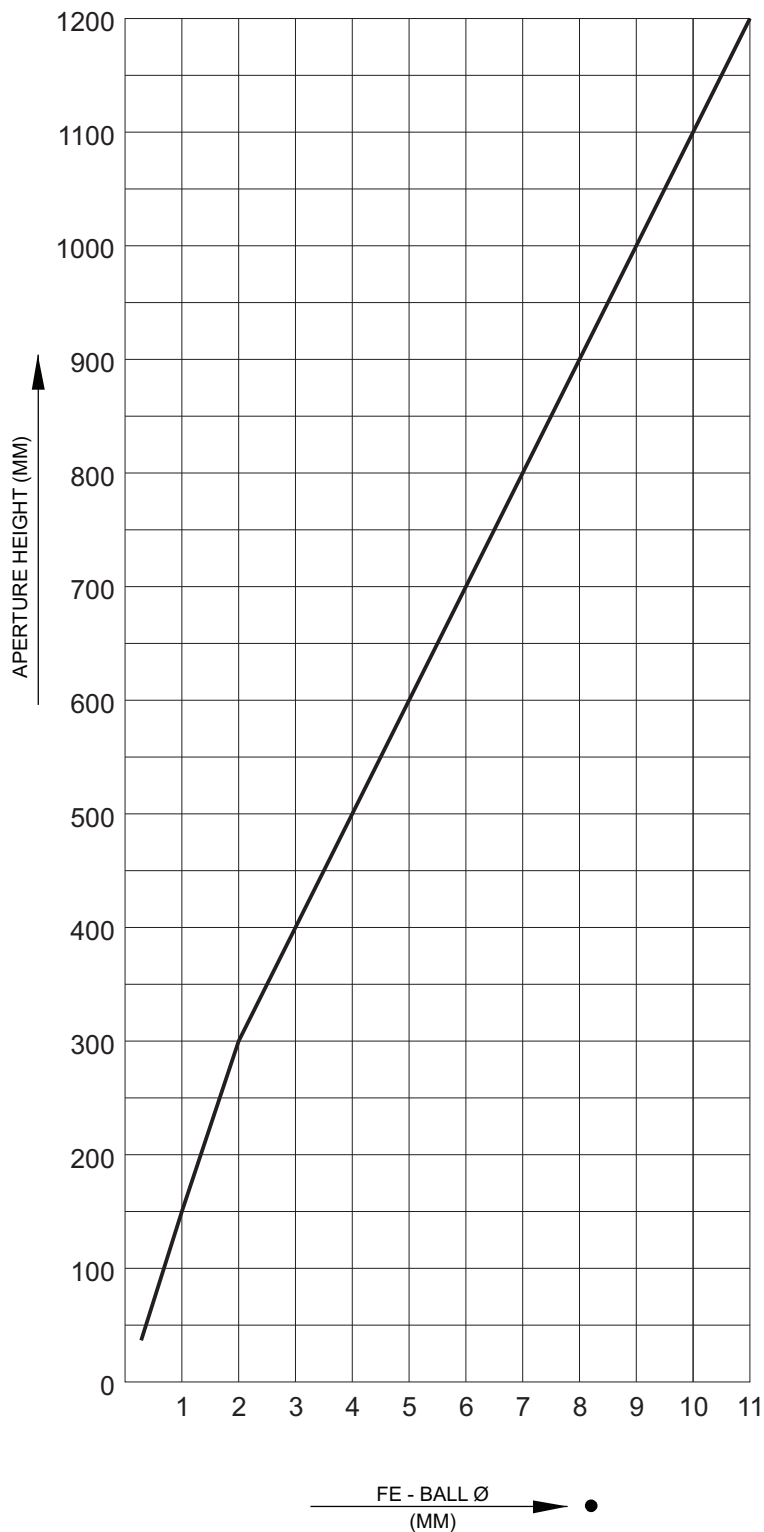
PAY PARTICULAR ATTENTION TO MOVING GATES AND MACHINES OR MACHINE PARTS WHICH CHANGE THEIR DISTANCE TO THE METAL DETECTOR OR WHICH MOVE IN THE VICINITY OF THE APERTURE.

IF THE METAL FREE ZONE CANNOT BE MAINTAINED DUE TO SPACE RESTRICTIONS FALSE REJECTS AND OR REDUCED SENSITIVITY CAN BE EXPECTED.

IN ADDITION, PLEASE OBSERVE OUR „ HINTS FOR THE INSTALLATION OF SEARCH COILS“

## SENSITIVITY DIAGRAM

VALID IF  $LB \leq 1,5 \times LH$



THE SENSITIVITY DEPENDS ON THE APERTURE SIZE I.E. THE SMALLER THE APERTURE HEIGHT THE GREATER THE SENSITIVITY.

THE SENSITIVITIES SHOWN IN THE ADJACENT DIAGRAM WERE ACHIEVED IN THE APERTURE CENTRE UNDER SIMULATED PROCESS CONDITIONS-POSSIBLE PRODUCT EFFECTS HAVE NOT BEEN CONSIDERED.

IF YOU SEND US SOME PRODUCT SAMPLES, WE WOULD BE PLEASED TO DO A TEST AND QUOTE THE BEST SENSITIVITY.

TO CALCULATE SENSITIVITY FOR OTHER METALS USE THE FOLLOWING MULTIPLICATION FACTOR.

VA (STAINLESS STEEL) = FE-BALL X 1 TO 2  
(FACTOR DEPENDS ON THE METAL ALLOY)

CU, ALU, BRASS... = FE-BALL X 1.2 TO 1.8  
(FACTOR DEPENDS ON THE METAL TYPE)

## CONTROL UNIT AMD 05 (Version 5.2)

ADVANTAGES THAT WILL CONVINC YOU!

**SINGLE BOARD DESIGN** WITH BUILT IN REGULATED POWER SUPPLY FOR RELIABLE PERFORMANCE AND EASE OF SERVICE.

**AUTO-SETUP-ROUTINE** WITH INTERFERENCE SIGNAL SUPPRESSION AND AUTOMATIC SENSITIVITY CALIBRATION.

**MULTI-FILTER SYSTEM** USING DIGITAL FILTRATION FOR MAXIMUM STABILITY IN HARSH ENVIRONMENTS.

**AUTO-BALANCE** AUTOMATICALLY DETECTS AND COMPENSATES FOR ANY CHANGES IN THE SIGNAL DURING NORMAL OPERATION. (E.G. TEMPERATURE VARIATIONS)

**SELF MONITORING SYSTEM** ENSURES ALL IMPORTANT COMPONENTS ARE FUNCTIONING PROPERLY. IN CASE OF A FAULT, RELAY OUTPUTS ARE AVAILABLE. FAULTS ARE DISPLAYED AS TEXT IN REAL TIME.

**NARROW DETECTION ZONE** PROVIDES AN ACCURATE LOCATION OF THE METALLIC PARTICLE IN THE DETECTION FIELD ALLOWING PRECISE SEPARATION.

**TOUCHPAD CONTROLS** MODERN DESIGN. RUGGED TOUCHSCREEN FOIL WITH ERGONOMIC CONTROLS.

**4 BUTTON TOUCHPAD CONTROLS** SUPPORTED BY EASY TO UNDERSTAND MENUS FAST ACCESS TO ALL OPERATING PARAMETERS. USER SELECTABLE DIALOG LANGUAGE.

**5-LINE BACK-LIT LCD DISPLAY** WITH METAL SIGNAL INDICATION. ADDITIONAL LED INDICATOR LAMPS ARE BUILT IN TO INDICATE METAL DETECTION OR FAULTS.

**METAL COUNTER** CAN BE DISPLAYED ON THE LCD SCREEN OR INTERFACED WITH A PRINTER OVER A SERIAL INTERFACE.

**3-LEVEL PASSWORD PROTECTION** WITH INTER-CHANGEABLE CODE NUMBERS.



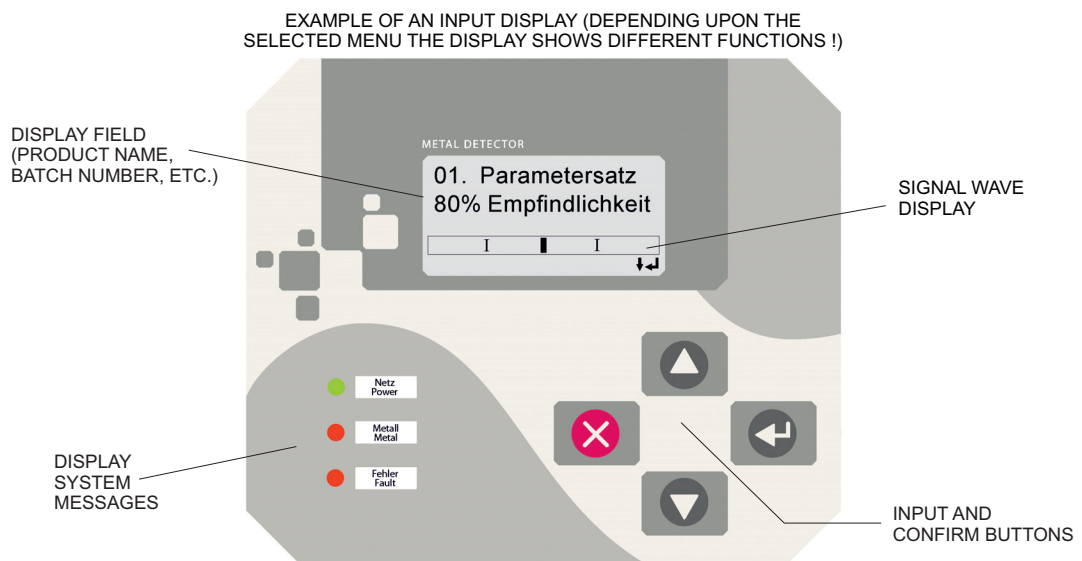
**METAL DETECTOR NETWORK AND REMOTE SERVICE** EVERYTHING IS DO-ABLE! SEVERAL OPTIONAL SOFTWARE-PACKAGES ARE AVAILABLE. EXAMPLE: WITH THE BUILT-IN CAN-BUS-DATA PORT A NETWORK OF UP TO 125 METAL DETECTORS / SEPARATORS CAN BE OPERATED. THE UNITS CAN THEN BE REMOTE CONTROLLED AND OPERATED VIA A CENTRAL PC. ALSO REMOTE DIAGNOSIS, PARAMETER CHANGE AND SOFTWARE UPDATES VIA MODEM ARE POSSIBLE.

**SERIAL DATA PORT** FOR DIFFERENT TASKS. THE METAL DETECTOR IS EQUIPPED WITH 1 SERIAL DATA PORT (RS 232). HOWEVER THIS PORT IS RESERVED FOR FACTORY SERVICE ACCESS SUCH AS ADJUSTMENT DATA LOGGING, SOFTWARE UPDATES ETC.) AS AN OPTION, THIS DATA PORT MAY ALSO BE USED BY THE CLIENT (SWITCHABLE). IT CAN BE USED TO DRIVE A LOCAL OR CENTRAL PROTOCOL PRINTER. THE PROTOCOL LAYOUT CONFORMS TO ISO 9000 AND HACCP GUIDELINES. BI-DIRECTIONAL DATA COMMUNICATION WITH CUSTOMER'S SPS OR PC SYSTEMS IS AVAILABLE (OPTIONAL SOFTWARE PACKAGE).

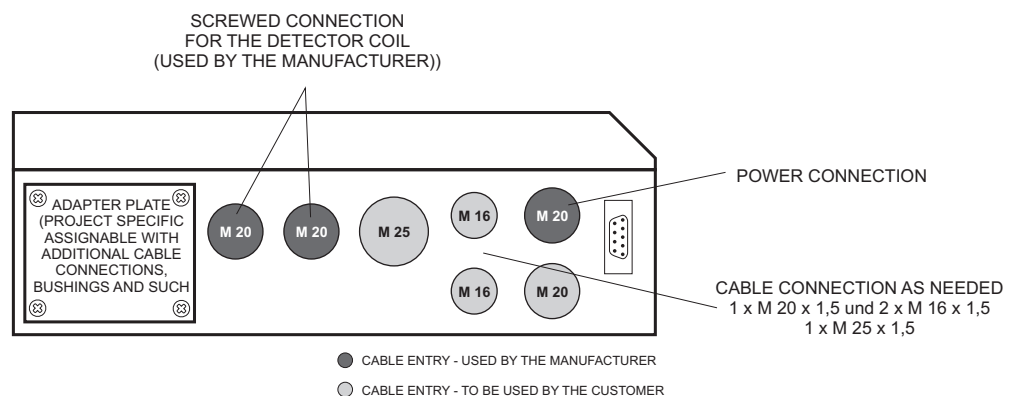
**PRODUCT STORAGE MEMORY BACKUP** FOR UP TO 500 INDIVIDUAL PRODUCTS. EACH PRODUCT HAS A COMPLETE SET OF ADJUSTMENT DATA ASSIGNED, SUCH AS SENSITIVITY, REJECT TIME ETC. THE DISPLAY OF TIME RELEVANT DATA IS IN REAL-TIME. INDIVIDUAL PRODUCT NAMES CAN BE STORED AS WELL.

**ACTIVE QUALITY ASSURANCE** WITH SMD COMPONENTS SAVE NOT ONLY SPACE BUT ALSO ASSURE OPTIMUM QUALITY AND SAFETY FOR THE END USER. WITH AUTOMATED PLACEMENT COMPONENT ERRORS ARE ELIMINATED. IN ADDITION EACH CARD IS 100% TESTED AND ARTIFICIALLY AGED. ALL MESUTRONIC PRODUCTS ARE DEVELOPED UNDER DIN, EN AND UVV STANDARDS AND COMPLY WITH THE STRICT CE STANDARDS AS WELL.

## CONTROLS



## ELECTRONIC BOX

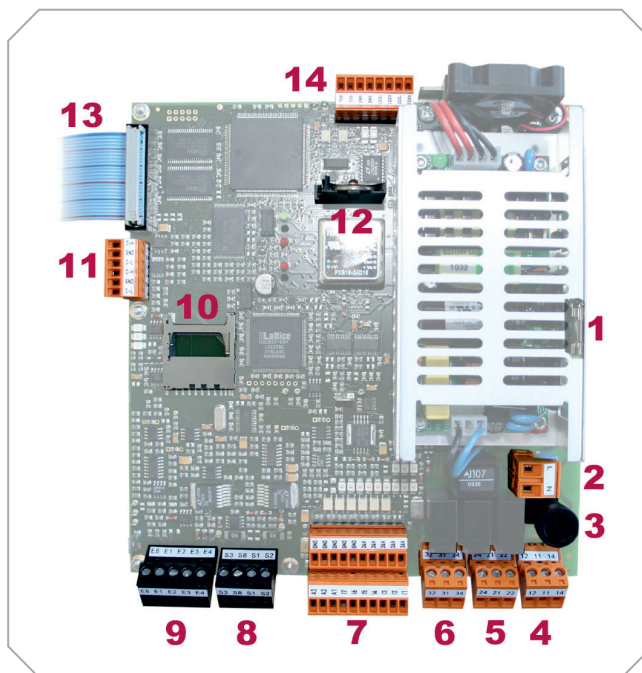


## TECHNICAL DATA

POWER SUPPLY:	100 - 240 V AC, 50/60 HZ
POWER CONSUMPTION:	MAX. 50 W
FUSE:	1,25 A (SLOW BLOW), 5 x 20 MM ACCORDING TO DIN
TYPE OF PROTECTION:	IP 54 (OPTIONAL IP 65)
WORKING TEMPERATURE RANGE:	- 10° C TO + 50° C
STORAGE TEMPERATURE RANGE:	- 10° C TO + 60° C
REL. HUMIDITY:	0 - 95 % (WITHOUT CONDENSATION)
CONVEYING SPEED:	0,02 TO 30 M/SEC.
VERSION:	MADE OF ALUMINIUM, PAINTED (RAL 3027) OR STAINLESS STEEL SENSING AREAS MADE OF POLYPROPYLENE
POWER CABLE:	APP. 1,8 M CABLE WITH PLUG (TWO POLE AND EARTHING PIN) (US-VERSION WITH US-STANDARD PLUG)

OTHER VERSIONS AVAILABLE

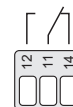
## LAYOUT AMD 05



- 1** SPARE FUSE
- 2** POWER SUPPLY 100 - 240 VAC, 50/60 HZ
- 3** DEVICE FUSE 1,25 A (SLOW BLOW) 5 x 20 MM ACCORDING TO DIN



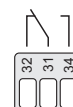
- 4** RELAY 1 (SWITCHES NORMALLY ON METAL)  
POTENTIAL FREE CONTACT  
FROM FACTORY (IF NOT REQUESTED OTHERWISE)  
RELAY 1 IS DESTINATED AS METAL-RELAY  
MAX. CONTACT LOAD: 250 V/3 A



- 5** RELAY 1 (SWITCHES NORMALLY ON OPERATION)  
POTENTIAL FREE CONTACT  
ASIDE FROM THE OPTICAL DISPLAY A POTENTIAL FREE  
CONTACT IS AVAILABLE TO POLL THE UNIT CONDITION  
MAX. CONTACT LOAD: 250 V/3 A



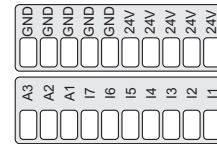
- 6** RELAY 3 (TO BE CONFIGURED BY THE MANUFACTURER)  
POTENTIAL FREE CONTACT  
MAX. CONTACT LOAD: 250 V/3 A



## LAYOUT AMD 05

- 7** SEVEN (7) FREE PROGRAMABLE INPUTS (24V DC)  
AND THREE (3) FREE PROGRAMABLE OUTPUTS (24V DC)

In1 - INITIATOR / BUTTON „NORMAL POSITION“  
In2 - INITIATOR / BUTTON „EJECT POSITION“  
In3 - AIR PRESSURE MONITOR (PRESSURE SWITCH)  
In4 - INPUT LIGHT BARRIER  
In5 - POSITION SENSOR  
In6 - EXTERNAL RESET BUTTON  
In7 - NOT CONNECTED



THREE (3) FREE PROGRAMABLE OUTPUTS (24V DC)  
OUTPUTS (STANDARD LAYOUT)  
OUT 1 - 24 V OUTPUT METAL  
OUT 2 - 24 V OUTPUT READY  
OUT 3 - NOT CONNECTED

ADDITIONAL CONTACT POSSIBILITIES: LEVEL SENSORS AND MORE

MAX. LOAD FOR ALL INPUTS AND OUTPUTS  $I_{TOTAL} \leq 300 \text{ MA CUMULATIVE!}$

- 8** CONNECTION SENDER (USED BY FACTORY)  
**9** CONNECTION RECEIVER (USED BY FACTORY)  
**10** SLOT FOR SD MEMORY CARD  
**11** CAN – BUS DATA PORT  
**12** BATTERY  
**13** CONNECTION DISPLAY (USED BY FACTORY)  
**14** SERIAL DATA PORT (USED BY FACTORY)

THE MESUTRONIC GERÄTEBAU GMBH IS A GLOBALLY ACTIVE COMPANY IN THE FIELD OF INDUSTRIAL METAL DETECTION TECHNOLOGY WITH HEADQUARTERS IN GERMANY.

A TEAM OF SPECIALISTS FOCUSES FOR DECADES SUCCESSFULLY ON THE DEVELOPMENT, MANUFACTURING AND DISTRIBUTION OF ELECTRONIC METAL DETECTORS AND SEPARATORS FOR ALL INDUSTRIES. DAILY WE TAKE UP THE CHALLENGE TO SOLVE INDIVIDUAL PROBLEMS RELIABLE AND TAILORED TO THE CUSTOMER. WHERE OTHERS SAID "NO" LONG AGO OUR TASK JUST STARTS. TRUE TO THE MOTTO: "NOTHING IS IMPOSSIBLE."

THOUSANDS OF DETECTOR COILS, VARIOUS TRANSMITTERS AND A VARIETY OF EJECTORS AND MECHANICAL COMPONENTS CAN BE COMBINED DEPENDING ON THE TASK AND SERVE AS A BASIS FOR PRACTICAL AND FLEXIBLE SOLUTIONS. THROUGH YEARS OF CLOSE COLLABORATION WITH OUR CUSTOMERS FROM VARIOUS INDUSTRIES, WE HAVE SHAPED OUR EQUIPMENT PROGRAM CONTINUAL WITH THE RESULT THAT ALL MESUTRONIC PRODUCTS ARE NOW LEADING THE WAY IN PERFORMANCE, QUALITY, RELIABILITY AND HANDLING.

IN ADDITION, OUR WORLDWIDE SALES AND SERVICE NETWORK ENSURES THAT ON ALL CONTINENTS OF THE WORLD A PROFESSIONAL COMPETENT CONTACT PERSON IS AVAILABLE FOR YOU.



# MESUTRONIC

*Metal Detection made in Germany*

MESUTRONIC Gerätebau GmbH • Hackenfeld 13 • D-94259 Kirchberg, Wald

Tel.: +49- (0)9927 / 9410-0 • Fax: +49- (0)9927 / 1732

E-Mail: sales@mesutronic.de • www.mesutronic.de



