

METAL DETECTOR

METRON 05 D

RELIABLE DETECTION OF ALL METALS:

- FERROUS
- STAINLESS STEEL
- ALUMINUM
- COPPER
- BRASS

RELIABLE DETECTION OF FREE OR ENCAPSULATED CONTAMINANTS.

Version 02/18

DIVISIBLE TUNNEL TYPE DETECTOR FOR INSTALLATION IN BELT CONVEYORS, VIBRATORY CONVEYORS AND MATERIAL CHUTES.



INDUSTRIES

- RECYCLING INDUSTRY
- RUBBER- AND PLASTIC INDUSTRY
- TIMBER INDUSTRY
- QUARRY INDUSTRY
- TEXTILE INDUSTRY

APPLICATION

- MACHINERY PROTECTION
- PRODUCT INSPECTION
- GRINDERS, CRUSHERS, MILLS
- BANDSAWS
- CHIPPERS
- AND MORE

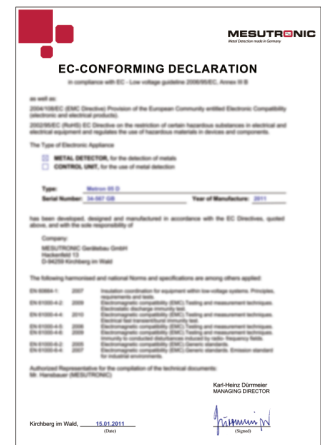
www.mesutronic.de

MESUTRONIC

Metal Detection made in Germany

SCOPE OF DELIVERY

- DETECTOR HEAD
- ELECTRONICS MOUNTED IN A METAL CABINET
- CONNECTING CABLES
- INSTALLATION ACCESSORIES
- USER MANUAL INCL. INSTALLATION INSTRUCTIONS, WIRING DIAGRAM AND SPARE PARTS LIST IN SEVERAL LANGUAGES
- EG CONFORMITY DECLARATION



OPTIONAL EQUIPMENT

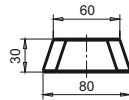
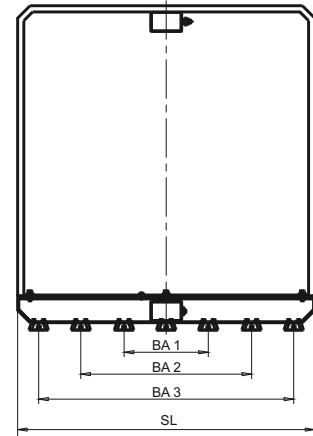
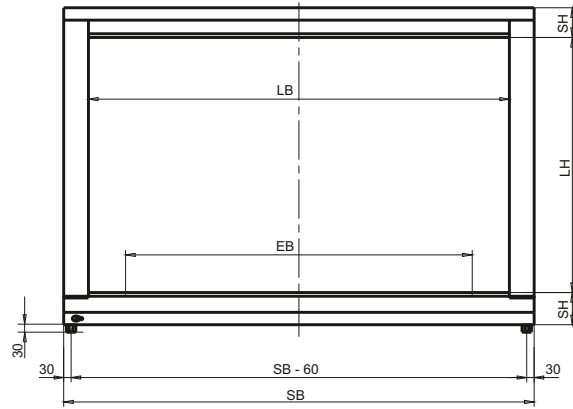
- WARNING DEVICE
 - BEACON
 - BUZZER
 - BEACON WITH SIREN
- REMOTE RESET DEVICE
- CONVEYOR CONTROLS
 - CONVEYOR REVERSE
 -
- VISUAL MARKERS
 - INK JET SYSTEM
 - BAG DROP SYSTEM
 -
- REJECT SYSTEMS
 - PUSHER SYSTEMS
 - FLAP SYSTEMS
 - CUT-OUT DEVICE
 -
- CUSTOMIZED SOFTWARE SOLUTIONS
 - SPECIAL CONTROL OPERATIONS
 - DATA TRANSFER
- POWER CONDITIONER
 - MAGNETIC VOLTAGE STABILIZER
 - ELECTRONIC VOLTAGE STABILIZER
- TURN KEY SYSTEMS CONSISTING OF CONVEYOR - DETECTOR - REJECT

SPECIAL VERSIONS

- DETECTOR HEAD AND CONTROL BOX IN STAINLESS STEEL
- EXPLOSION PROOF (PROTECTION TYPE IP 65)
- CUSTOM PAINT
- SPECIAL POWER SUPPLY
- HIGH TEMPERATURES
- ALUTRON-VERSION (NO FALSE TRIPPING BY METALLIC FILMS SUCH AS CUP LIDS,), PATENT-NO. 4342826
- NEUTRAL DELIVERY WITH INDIVIDUAL LABELING

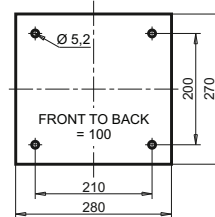


DIMENSIONS



DETECTOR SUPPORT LEGS
MAX. DEPTH OF THREAD 18 MM
SCREW THREAD M 12

CONTROL BOX
(DRILLING PATTERN)

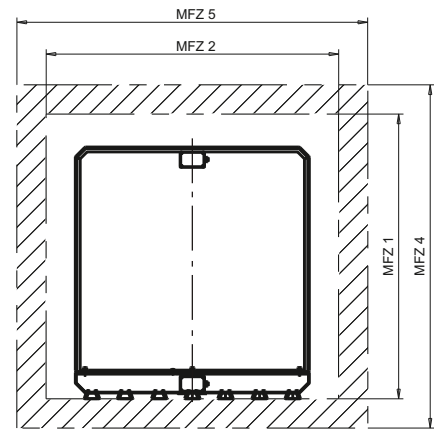
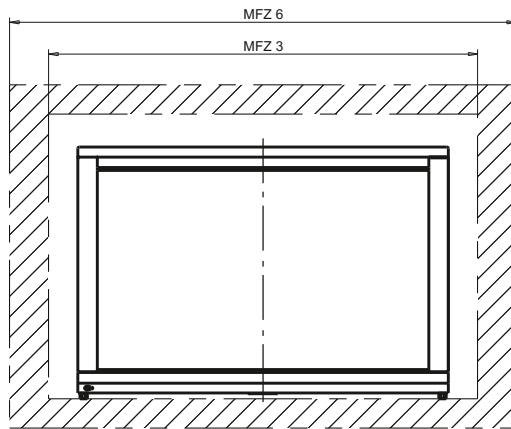


SB (DETECTOR WIDTH = LB + 200)
EB (SENSING AREA)

APERTURE HEIGHT	APERTURE WIDTH	TOP/BOTTOM THICKNESS	DETECTOR LENGTH	DISTANCE BETWEEN BORE CENTRES			NUMBER OF THREADED BORE HOLES IN TOTAL	COIL SUPPORT CENTERED
				BA 1	BA 2	BA 3		
LH	LB	SH	SL	BA 1	BA 2	BA 3	A	
TO 200	EB + 220	115	400	230			6	YES
TO 300	EB + 220	115	500	110	330		8	NO
TO 400	EB + 240	115	600	215	430		10	YES
TO 500	EB + 240	115	700	265	530		10	YES
TO 600	EB + 240	115	750	290	580		10	YES
TO 700	EB + 280	115	800	150	390	630	12	NO
TO 800	EB + 280	120	850	150	420	680	12	NO
TO 900	EB + 280	120	900	150	440	730	12	NO
TO 1000	EB + 280	120	1000	280	560	830	14	YES
> 1000	EB + 300	120	1200	340	690	1030	14	YES

ALL DIMENSIONS IN MM.

METAL FREE ZONE (MFZ)

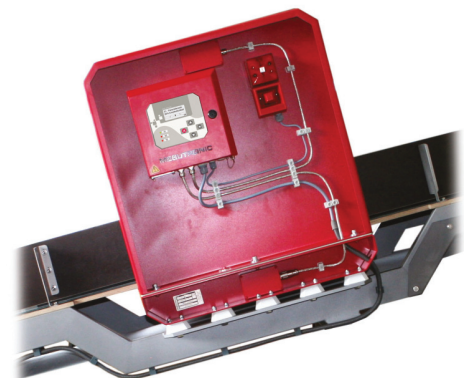


CALCULATING THE „METAL FREE ZONE“ ...

FOR NON-MOVING METALS

FOR MOVING METALS

MFZ 1 = LH + (2 x SH) + 60 mm	MFZ 4 = 4 x LH
MFZ 2 ¹⁾ = SL + LH	MFZ 5 ¹⁾ = SL + 3,5 x LH
MFZ 3 = LB + 300 mm	MFZ 6 = LB + 1000 mm



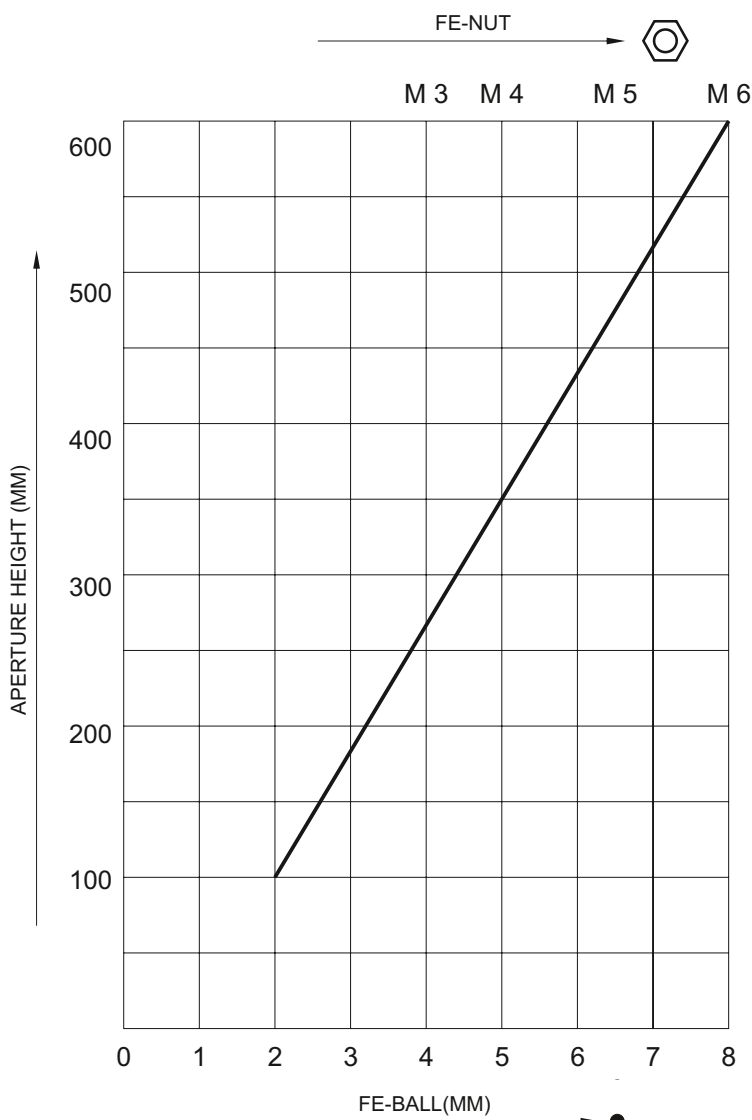
¹⁾ POSITION THE DETECTOR APERTURE IN THE MIDDLE OF THE „METAL FREE ZONE“
FOR THE OTHER DIMENSIONS: POSITION THE DETECTOR SYMMETRICAL IN RELATION TO THE APERTURE.

THE CALCULATED DIMENSIONS ARE TO BE TAKEN AS ORIENTATION VALUES (MINIMUM VALUES WHICH SHOULD BE EXCEEDED.) AND HAVE TO BE VERIFIED BY THE MANUFACTURER, DEPENDING ON THE PROJECT. MAKE THE „METAL FREE“ ZONE AS LARGE AS POSSIBLE. „NON-MOVING“ METALS ARE CONVEYOR FRAMES AND COIL SUPPORTS. (BUT NOT THE TRAVERSE CONNECTIONS BETWEEN SUCH EQUIPMENT!) MOVING METALS ARE DIVERTER AND DRIVE ROLLERS OR FOR EXAMPLE THE AXIS OF A REJECT PUSHER. PAY PARTICULAR ATTENTION TO MOVING GATES AND MACHINES OR MACHINE PARTS WHICH CHANGE THEIR DISTANCE TO THE METAL DETECTOR OR WHICH MOVE IN THE VICINITY OF THE APERTURE. IF THE METAL FREE ZONE CANNOT BE MAINTAINED DUE TO SPACE RESTRICTIONS FALSE REJECTS AND OR REDUCED SENSITIVITY CAN BE EXPECTED.

IN ADDITION, PLEASE OBSERVE OUR „ HINTS FOR THE INSTALLATION OF SEARCH COILS“.

SENSITIVITY DIAGRAM

VALID IF $LB \leq 1,5 \times LH$



THE SENSITIVITY DEPENDS ON THE APERTURE SIZE I.E. THE SMALLER THE APERTURE HEIGHT THE GREATER THE SENSITIVITY.

THE SENSITIVITIES SHOWN IN THE ADJACENT DIAGRAM WERE ACHIEVED IN THE APERTURE CENTRE UNDER SIMULATED PROCESS CONDITIONS - POSSIBLE PRODUCT EFFECTS HAVE NOT BEEN CONSIDERED.

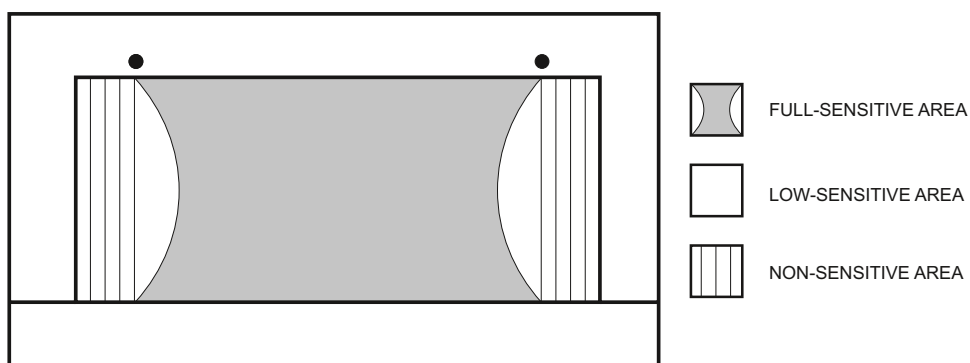
IF YOU SEND US SOME PRODUCT SAMPLES, WE WOULD BE PLEASED TO DO A TEST AND QUOTE THE BEST SENSITIVITY.

TO CALCULATE SENSITIVITY FOR OTHER METALS USE THE FOLLOWING MULTIPLICATION FACTOR.

VA (STAINLESS STEEL) = FE-BALL X 1 TO 2
(FACTOR DEPENDS ON THE METAL ALLOY)

CU, ALU, BRASS... = FE-BALL X 1.2 TO 1.8
(FACTOR DEPENDS ON THE METAL TYPE)

SENSITIVITY DISTRIBUTION



CONTROL UNIT AMD 05 (Version 5.2)

ADVANTAGES THAT WILL CONVINC YOU!

SINGLE BOARD DESIGN WITH BUILT IN REGULATED POWER SUPPLY FOR RELIABLE PERFORMANCE AND EASE OF SERVICE.

AUTO-SETUP-ROUTINE WITH INTERFERENCE SIGNAL SUPPRESSION AND AUTOMATIC SENSITIVITY CALIBRATION.

MULTI-FILTER SYSTEM USING DIGITAL FILTRATION FOR MAXIMUM STABILITY IN HARSH ENVIRONMENTS.

AUTO-BALANCE AUTOMATICALLY DETECTS AND COMPENSATES FOR ANY CHANGES IN THE SIGNAL DURING NORMAL OPERATION. (E.G. TEMPERATURE VARIATIONS)

SELF MONITORING SYSTEM ENSURES ALL IMPORTANT COMPONENTS ARE FUNCTIONING PROPERLY. IN CASE OF A FAULT, RELAY OUTPUTS ARE AVAILABLE. FAULTS ARE DISPLAYED AS TEXT IN REAL TIME.

NARROW DETECTION ZONE PROVIDES AN ACCURATE LOCATION OF THE METALLIC PARTICLE IN THE DETECTION FIELD ALLOWING PRECISE SEPARATION.

TOUCHPAD CONTROLS MODERN DESIGN. RUGGED TOUCHSCREEN FOIL WITH ERGONOMIC CONTROLS.

4 BUTTON TOUCHPAD CONTROLS SUPPORTED BY EASY TO UNDERSTAND MENUS FAST ACCESS TO ALL OPERATING PARAMETERES. USER SELECTABLE DIALOG LANGUAGE.

5-LINE BACK-LIT LCD DISPLAY WITH METAL SIGNAL INDICATION. ADDITIONAL LED INDICATOR LAMPS ARE BUILT IN TO INDICATE METAL DETECTION OR FAULTS.

METAL COUNTER CAN BE DISPLAYED ON THE LCD SCREEN OR INTERFACED WITH A PRINTER OVER A SERIAL INTERFACE.

3-LEVEL PASSWORD PROTECTION WITH INTER-CHANGEABLE CODE NUMBERS.



PRODUCT STORAGE MEMORY BACKUP FOR UP TO 500 INDIVIDUAL PRODUCTS. EACH PRODUCT HAS A COMPLETE SET OF ADJUSTMENT DATA ASSIGNED, SUCH AS SENSITIVITY, REJECT TIME ETC. THE DISPLAY OF TIME RELEVANT DATA IS IN REAL-TIME. INDIVIDUAL PRODUCT NAMES CAN BE STORED AS WELL.

METAL DETECTOR NETWORK AND REMOTE SERVICE

EVERYTHING IS DO-ABLE! SEVERAL OPTIONAL SOFTWARE-PACKAGES ARE AVAILABLE. EXAMPLE: WITH THE BUILT-IN CAN-BUS-DATA PORT A NETWORK OF UP TO 125 METAL DETECTORS / SEPARATORS CAN BE OPERATED. THE UNITS CAN THEN BE REMOTE CONTROLLED AND OPERATED VIA A CENTRAL PC. ALSO REMOTE DIAGNOSIS, PARAMETER CHANGE AND SOFTWARE UPDATES VIA MODEM ARE POSSIBLE.

SERIAL DATA PORT

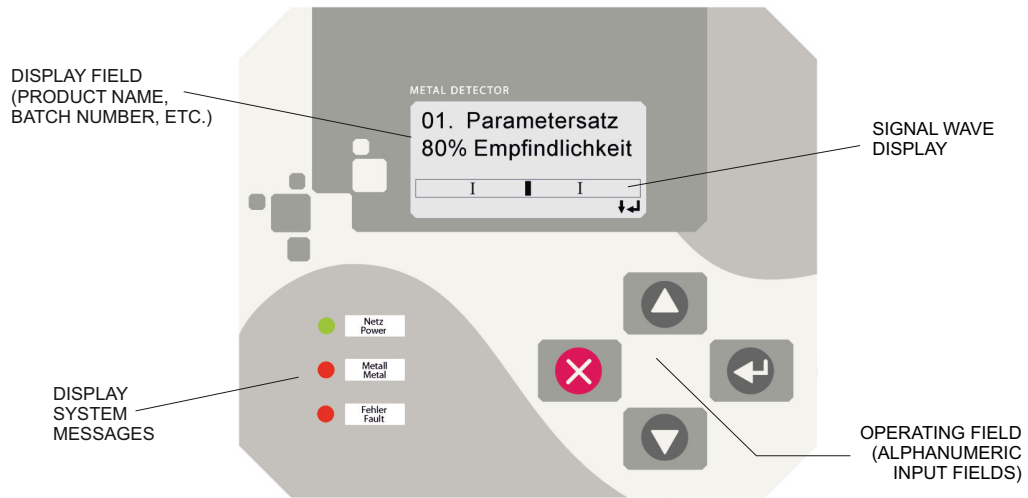
FOR DIFFERENT TASKS, THE METAL DETECTOR IS EQUIPPED WITH 1 SERIAL DATA PORT (RS 232). HOWEVER THIS PORT IS RESERVED FOR FACTORY SERVICE ACCESS SUCH AS ADJUSTMENT DATA LOGGING, SOFTWARE UPDATES ETC.) AS AN OPTION, THIS DATA PORT MAY ALSO BE USED BY THE CLIENT (SWITCHABLE). IT CAN BE USED TO DRIVE A LOCAL OR CENTRAL PROTOCOL PRINTER. THE PROTOCOL LAYOUT CONFORMS TO ISO 9000 AND HACCP GUIDELINES. BI-DIRECTIONAL DATA COMMUNICATION WITH CUSTOMER'S SPS OR PC SYSTEMS IS AVAILABLE (OPTIONAL SOFTWARE PACKAGE).

ACTIVE QUALITY ASSURANCE

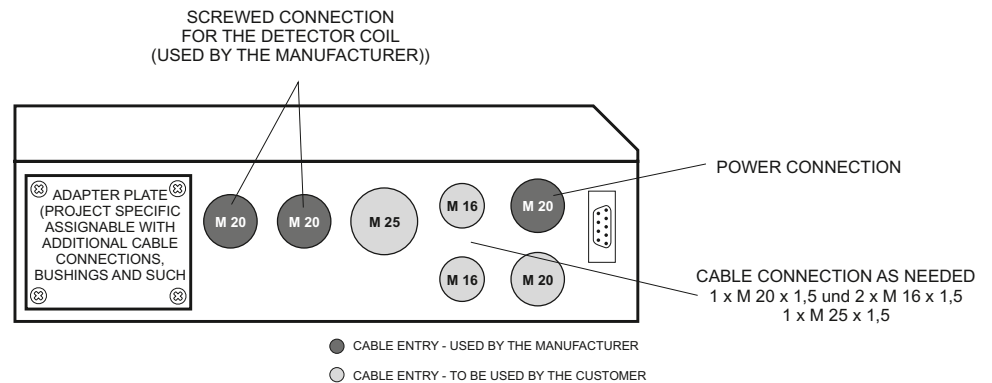
WITH SMD COMPONENTS SAVE NOT ONLY SPACE BUT ALSO ASSURE OPTIMUM QUALITY AND SAFETY FOR THE END USER. WITH AUTOMATED PLACEMENT COMPONENT ERRORS ARE ELIMINATED. IN ADDITION EACH CARD IS 100% TESTED AND ARTIFICIALLY AGED. ALL MESUTRONIC PRODUCTS ARE DEVELOPED UNDER DIN, EN AND UVV STANDARDS AND COMPLY WITH THE STRICT CE STANDARDS AS WELL.

CONTROLS

EXAMPLE OF AN INPUT DISPLAY (DEPENDING UPON THE SELECTED MENU THE DISPLAY SHOWS DIFFERENT FUNCTIONS !)



ELECTRONIC BOX

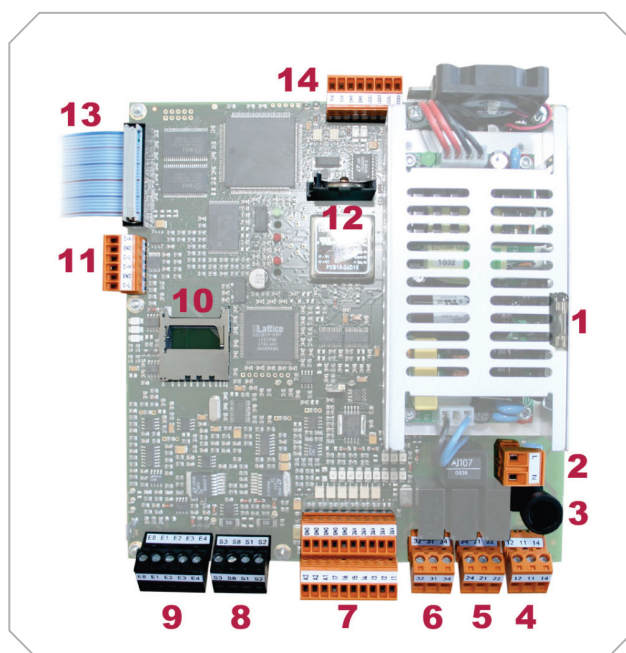



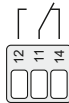
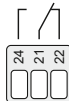

TECHNICAL DATA

POWER SUPPLY:	100 – 240 V AC, 50/60 HZ
POWER CONSUMPTION:	MAX. 50 W
FUSE:	1,25 A (SLOW BLOW); 5 X 20 MM ACCORDING TO DIN
TYPE OF PROTECTION:	IP 54
WORKING TEMPERATURE RANGE:	-10 °C TO +50 °C
STORAGE TEMPERATURE RANGE:	-10 °C TO +60 °C
REL. HUMIDITY:	0 - 95 % (WITHOUT CONDENSATION)
CONVEYING SPEED:	0,05 TO 1,5 M/SEC. (FASTER SPEED ON REQUEST)
PAINT:	RASPBERRY RED = RAL 3027
MATERIALS:	DETECTOR HEAD AND CONTROL BOX MADE OF STEEL (ST 37), SENSOR AREAS MADE OF DUROPLEX
CONTROL BOX:	MOUNTED (STANDARD) OR OPTIONAL WITH INTERCONNECTING CABLE = 2 M LONG
POWER CABLE:	APP. 1,8 M CABLE WITH PLUG (TWO POLE AND EARTHING PIN) (US-VERSION WITH US-STANDARD PLUG)

OTHER VERSIONS AVAILABLE

LAYOUT AMD 05

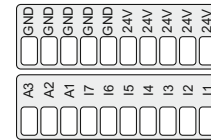


- 1** SPARE FUSE
- 2** POWER SUPPLY 100 - 240 VAC, 50/60 HZ 
- 3** DEVICE FUSE 1,25 A (SLOW BLOW) 5 x 20 MM ACCORDING TO DIN
- 4** RELAY 1 (SWITCHES NORMALLY ON METAL)
POTENTIAL FREE CONTACT
FROM FACTORY (IF NOT REQUESTED OTHERWISE)
RELAY 1 IS DESTINATED AS METAL-RELAY
MAX. CONTACT LOAD: 250 V/3 A 
- 5** RELAY 1 (SWITCHES NORMALLY ON OPERATION)
POTENTIAL FREE CONTACT
ASIDE FROM THE OPTICAL DISPLAY A POTENTIAL FREE CONTACT IS AVAILABLE TO POLL THE UNIT CONDITION
MAX. CONTACT LOAD: 250 V/3 A 
- 6** RELAY 3 (TO BE CONFIGURED BY THE MANUFACTURER)
POTENTIAL FREE CONTACT
MAX. CONTACT LOAD: 250 V/3 A 

LAYOUT AMD 05

- 7** SEVEN (7) FREE PROGRAMABLE INPUTS (24V DC)
AND THREE (3) FREE PROGRAMABLE OUTPUTS (24V DC)

In1 - INITIATOR / BUTTON „NORMAL POSITION“
In2 - INITIATOR / BUTTON „EJECT POSITION“
In3 - AIR PRESSURE MONITOR (PRESSURE SWITCH)
In4 - INPUT LIGHT BARRIER
In5 - POSITION SENSOR
In6 - EXTERNAL RESET BUTTON
In7 – NOT CONNECTED



THREE (3) FREE PROGRAMABLE OUTPUTS (24V DC)
OUTPUTS (STANDARD LAYOUT)
OUT 1 - 24 V OUTPUT METAL
OUT 2 - 24 V OUTPUT READY
OUT 3 - NOT CONNECTED

ADDITIONAL CONTACT POSSIBILITIES: LEVEL SENSORS AND MORE

MAX. LOAD FOR ALL INPUTS AND OUTPUTS $I_{TOTAL} \leq 300$ MA CUMULATIVE!

- 8** CONNECTION SENDER (USED BY FACTORY)
- 9** CONNECTION RECEIVER (USED BY FACTORY)
- 10** SLOT FOR SD MEMORY CARD
- 11** CAN – BUS DATA PORT
- 12** BATTERY
- 13** CONNECTION DISPLAY (USED BY FACTORY)
- 14** SERIAL DATA PORT (USED BY FACTORY)

MESUTRONIC Gerätebau GmbH

A TEAM OF SPECIALISTS DEDICATED TO DEVELOP, MANUFACTURE AND MARKET THE WORLD'S FINEST ELECTRONIC METAL DETECTION AND SEPARATION EQUIPMENT FOR ALL INDUSTRIES. IT IS OUR GOAL TO PROVIDE THE OPTIMUM SOLUTION TO MEET EVERY CRITERIA. MANY YEARS OF EXPERIENCE PROVIDING HUNDREDS OF DETECTION COILS WITH VARIOUS CONTROLS AS WELL AS A MULTITUDE OF MECHANICAL SEPARATING AND SORTING COMPONENTS ARE AT YOUR DISPOSAL. WE POOL OUR KNOWLEDGE AND EXPERIENCE TO OFFER A SOLUTION TO VIRTUALLY ANY APPLICATION.

„WHEN OTHERS SAY NO, WE SAY LETS GO!“

LET OUR TEAM PROVIDE YOU WITH THE OPTIMUM SOLUTION FOR YOUR METAL CONTAMINATION.

© Copyright MESUTRONIC Gerätebau GmbH, Germany



MESUTRONIC

Metal Detection made in Germany

MESUTRONIC Gerätebau GmbH • Hackenfeld 13 • D-94259 Kirchberg, Wald
Tel.: +49- (0)9927 / 9410-0 • Fax: +49- (0)9927 / 1732
E-Mail: sales@mesutronic.de • www.mesutronic.de

